



SLIDING



SOCIALIZING

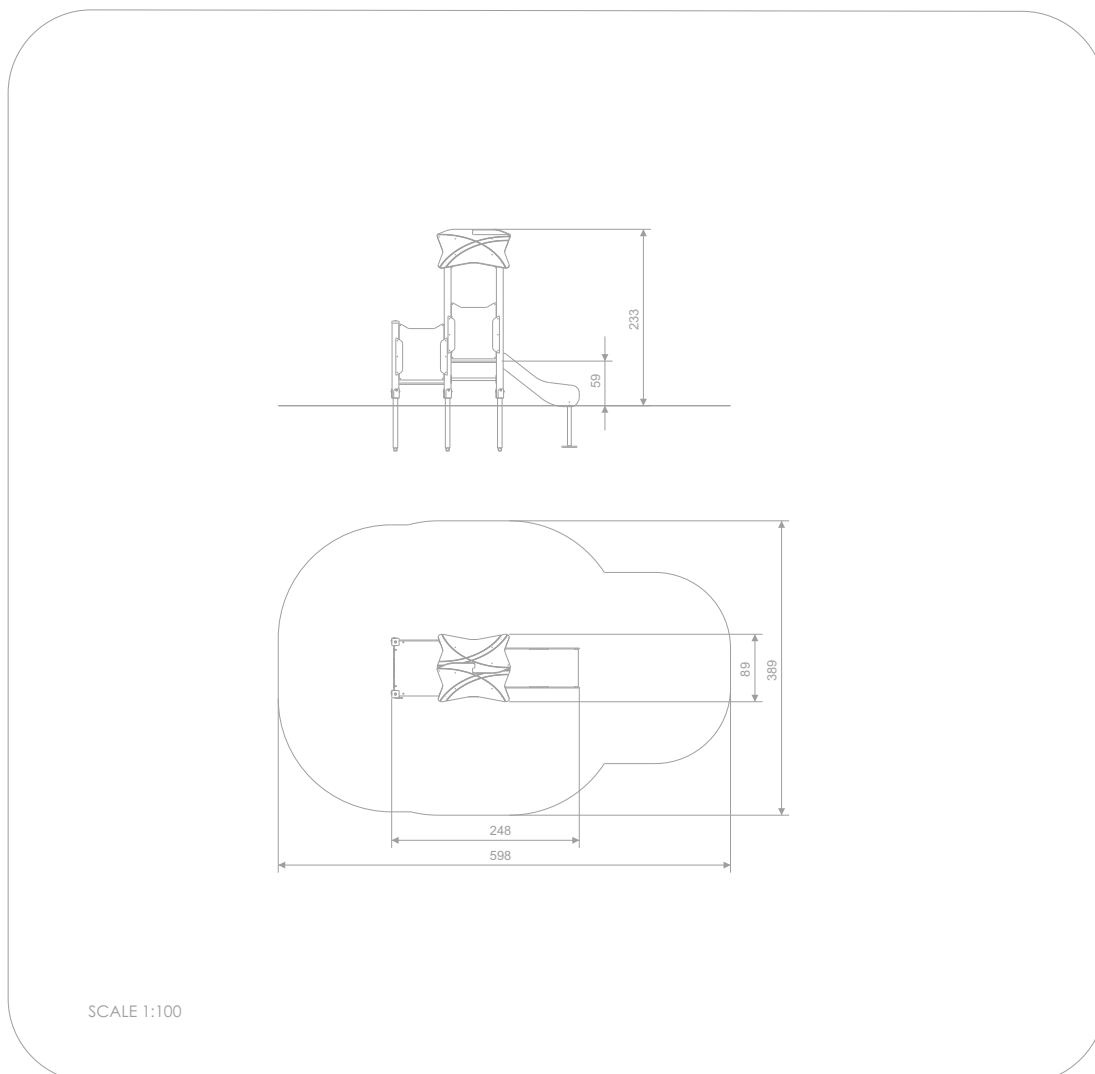


SENSORIAL
INTEGRATION

INFORMATION ABOUT THE PRODUCT

Dimensions	89 x 248 cm
Safety zone	389 x 598 cm
Safety zone area	18,9 m ²
Overall height	233 cm
Free fall height	59 cm
Amount of users	6
Product complies with EN 1176-1:2017-12	YES
Availability of spare parts	YES
Age range	1-8
<small>According to EN 1176-1:2017-12 norm, the product requires applying a safety surface according to the product's free fall height.</small>	



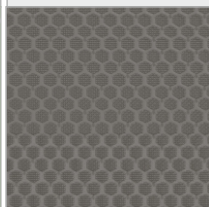


MATERIALS:

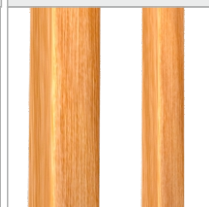
PLATES OF THE WALLS
MADE OF 12 MM HDPE IN
THE HIGHEST QUALITY



ANTI-SLIP HEXA 18 MM H
PLATFORM PLATE
SERIES: SMART



SOLID CONSTRUCTION MADE
OF WOOD, 90x90 MM



SLIDES MADE OF STAINLESS
STEEL AISI 304, SIDE PANELS
MADE OF HDPE
POLYETHYLENE

