

# 1101



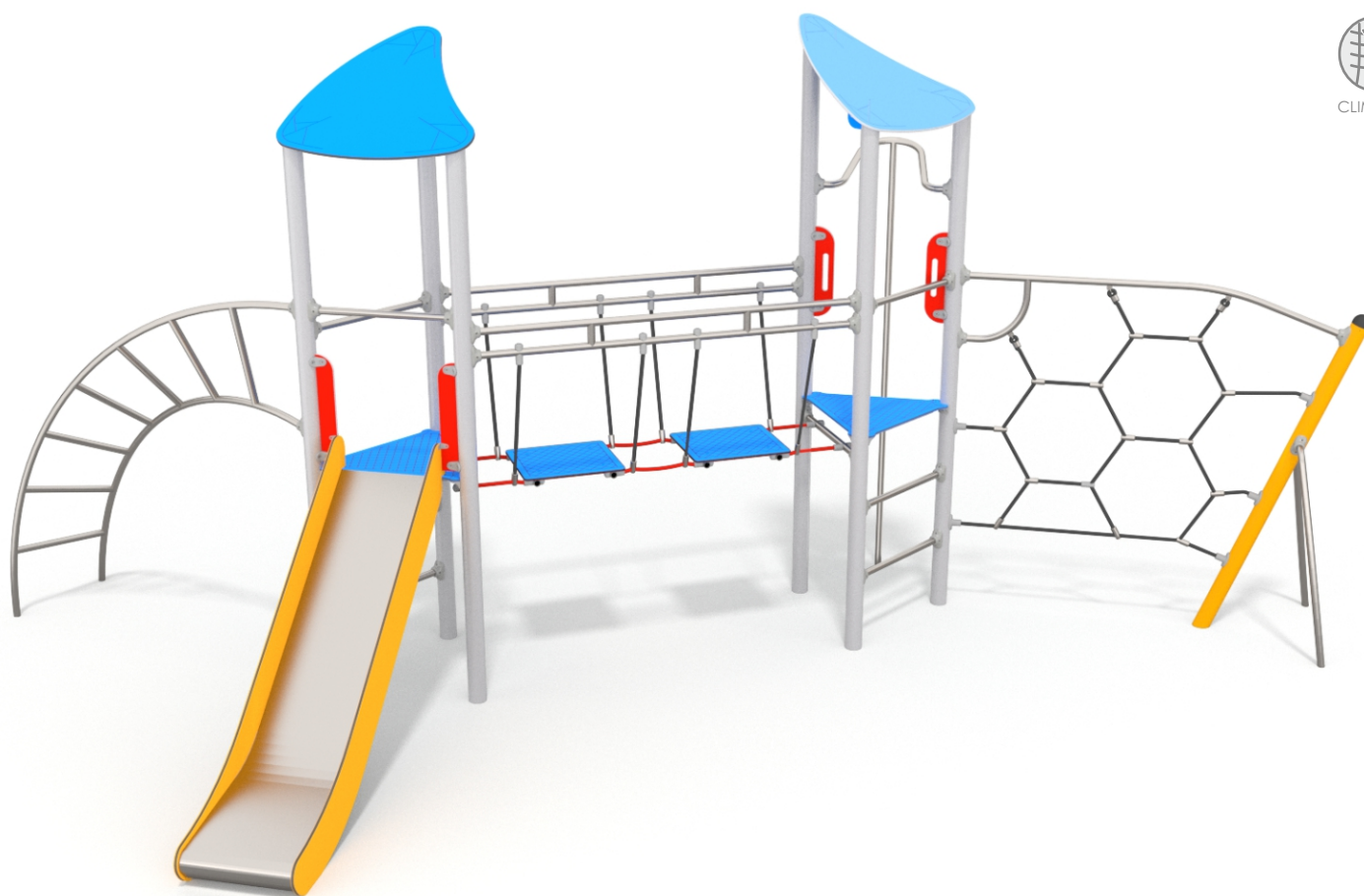
SLIDING



SOCIALIZING



CLIMBING



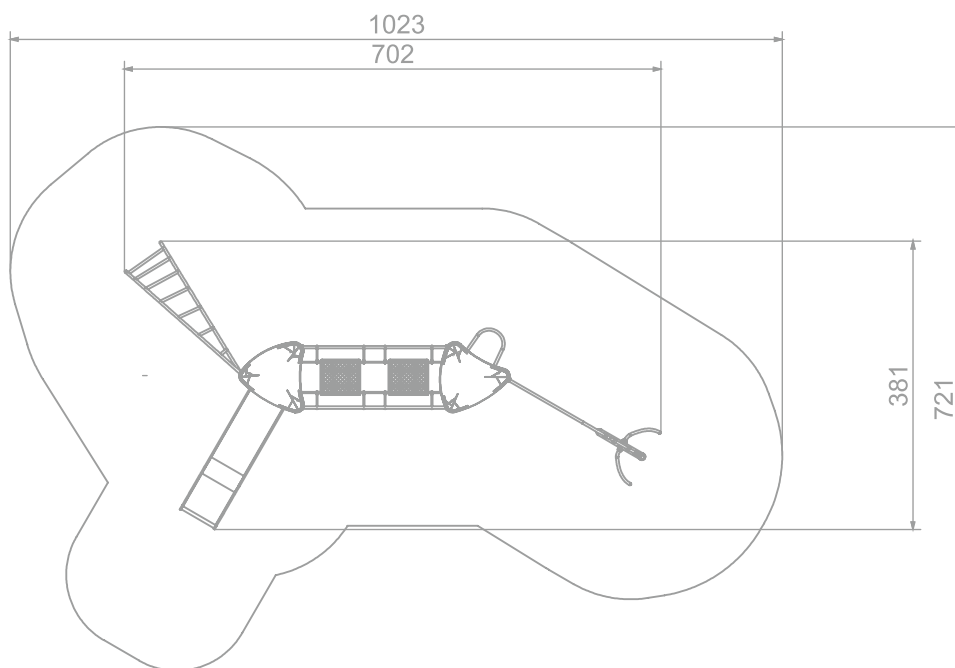
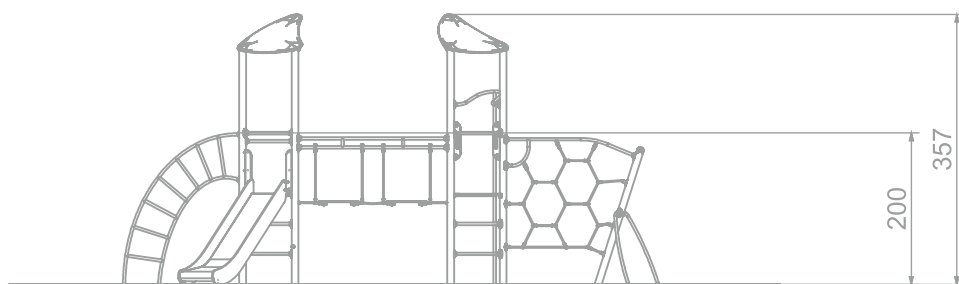
### INFORMATION ABOUT THE PRODUCT

Dimensions	381 x 702 cm
Safety zone	721 x 1023 cm
Safety zone area	47 m <sup>2</sup>
Overall height	357 cm
Free fall height	200 cm
Amount of users	10
Product complies with EN 1176-1:2017-12	YES
Availability of spare parts	YES
Age range	3-12
According to EN 1176-1:2017-12 norm, the product requires applying a safety surface according to the product's free fall height.	





# 1101



SKALA 1:100

### MATERIALS:

CONSTRUCTION ELEMENTS MADE OF STAINLESS AISI 304	POST ENDINGS FINISHED WITH SOFT EPDM RUBBER	PLATES OF THE WALLS MADE OF COLOURFUL TRIPLE LAYERED 15 MM HDPE POLYETHYLENE, IN THE HIGHEST QUALITY	ANTI-SLIP BLUE 13 MM HPL PLATFORM PLATE SERIES: ACTIV	SOLID CONSTRUCTION MADE BLACK STEEL S235JR CLEANED IN THE SANDBLASTING PROCESS
SLIDES MADE OF STAINLESS STEEL AISI 304, SIDE PANELS MADE OF HDPE POLYETHYLENE	PLATE AND ROPE CONNECTORS MADE OF INJECTION MOLDED POLYAMIDE	ROPE ENDINGS PRESSED IN A SLEEVE MADE OF DURABLE ALUMINUM ALLOY	POLYPROPYLENE ROPES PPMULTISPLIT TYPE WITH A STEEL CORE AND A DIAMETER OF 16 MM	SYSTEM OF CONNECTORS AND CLAMPS MADE OF STRONG ALUMINUM ALLOY

