

SLIDING



SOCIALIZING

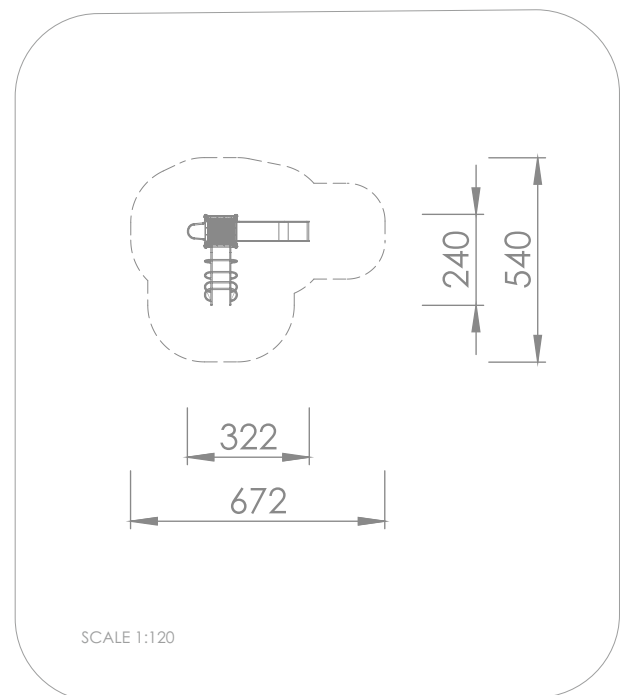
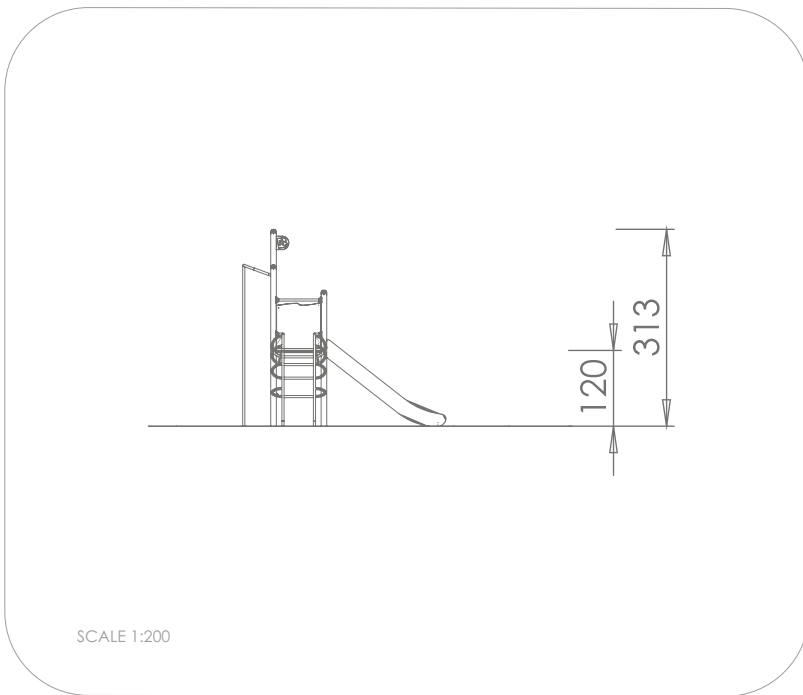
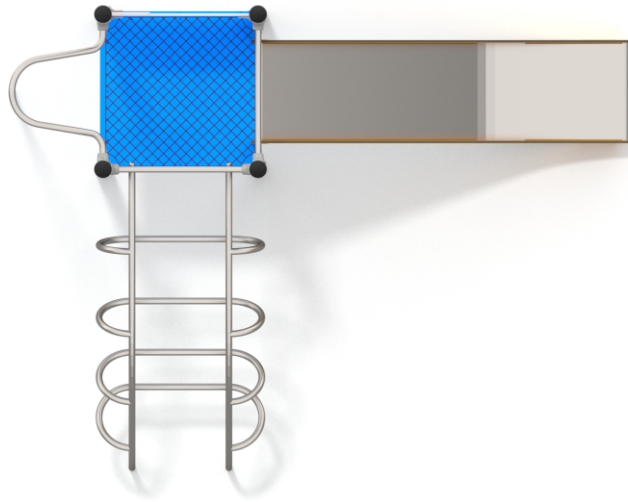


CLIMBING

INFORMATION ABOUT THE PRODUCT

Dimensions	240 x 322 cm
Safety zone	540 x 672 cm
Safety zone area	27 m ²
Overall height	313 cm
Free fall height	120 cm
Amount of users	6
Product complies with EN 1176-1:2017-12	YES
Availability of spare parts	YES
Age range	3-12
<small>According to EN 1176-1:2017-12 norm, the product requires applying a safety surface according to the product's free fall height.</small>	





MATERIALS:

CONSTRUCTION ELEMENTS MADE OF STAINLESS AISI 304	PLATES OF THE WALLS MADE OF COLOURFUL TRIPLE LAYERED 15 MM HDPE POLYETHYLENE, IN THE HIGHEST QUALITY	ANTI-SLIP BLUE 13 MM HPL PLATFORM PLATE SERIES: ACTIVE	PLATE AND ROPE CONNECTORS MADE OF INJECTION MOLDED POLYAMIDE	
PLATES OF THE WALLS AND PLATFORMS MADE OF COLOURFUL 13 MM HPL IN THE HIGHEST QUALITY	SLIDES MADE OF STAINLESS STEEL AISI 304, SIDE PANELS MADE OF HDPE POLYETHYLENE	SYSTEM OF CONNECTORS AND CLAMPS MADE OF STRONG ALUMINUM ALLOY	POST ENDINGS FINISHED WITH SOFT EPDM RUBBER	SOLID CONSTRUCTION MADE BLACK STEEL S235JR CLEANED IN THE SANDBLASTING PROCESS