

1161

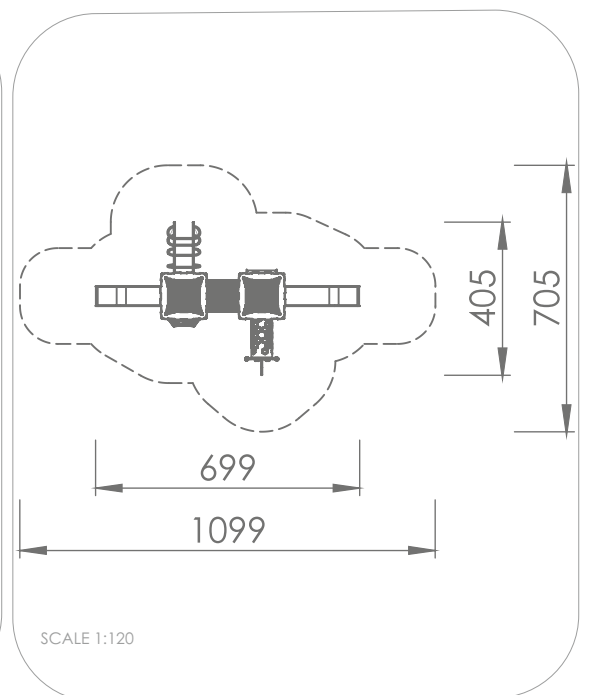
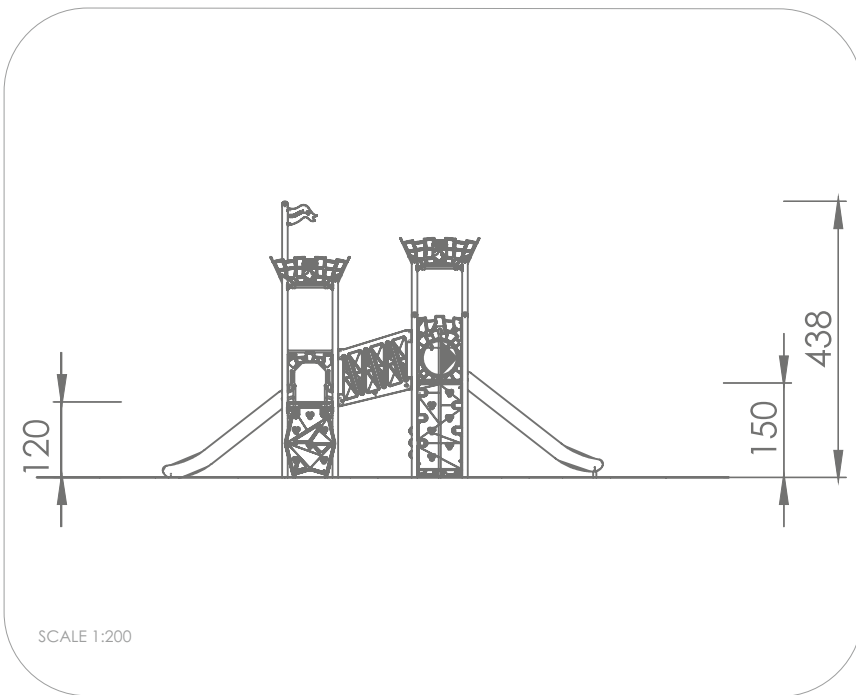
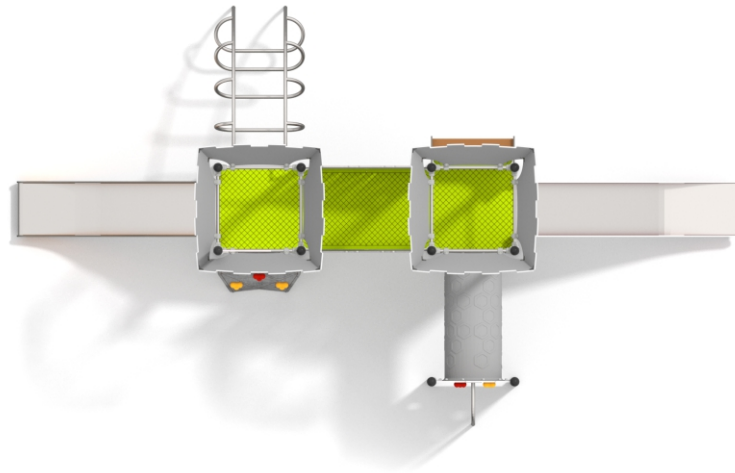


INFORMATION ABOUT THE PRODUCT

| | |
|--|-------------------|
| Dimensions | 699 x 405 cm |
| Safety zone | 1099 x 705 cm |
| Safety zone area | 46 m ² |
| Overall height | 438 cm |
| Free fall height | 150 cm |
| Amount of users | 20 |
| Product complies with EN 1176-1:2017-12 | YES |
| Availability of spare parts | YES |
| Age range | 3-12 |
| According to EN 1176-1:2017-12 norm, the product requires applying a safety surface according to the product's free fall height. | |



1161



MATERIALS:

| | | | | | |
|--|--|--|--|---|--|
| CONSTRUCTION ELEMENTS MADE OF STAINLESS AISI 304 | PLATES OF THE WALLS MADE OF COLOURFUL TRIPLE LAYERED 15 MM HDPE POLYETHYLENE, IN THE HIGHEST QUALITY | ANTI-SLIP BLUE 13 MM HPL PLATFORM PLATE SERIES: ACTIV | CLIMBING ROCKS MADE OF CHIPPINGS AND COLOURFUL POLYESTER RESIN | SYSTEM OF CONNECTORS AND CLAMPS MADE OF STRONG ALUMINUM ALLOY | POST ENDINGS FINISHED WITH SOFT EPDM RUBBER |
| | | | | | |
| PLATES OF THE WALLS AND PLATFORMS MADE OF COLOURFUL 13 MM HPL IN THE HIGHEST QUALITY | SLIDES MADE OF STAINLESS STEEL AISI 304, SIDE PANELS MADE OF HDPE POLYETHYLENE | SOLID CONSTRUCTION MADE BLACK STEEL S235JR CLEANED IN THE SANDBLASTING PROCESS | CLIMBING ROCKS MADE OF CHIPPINGS AND COLOURFUL POLYESTER RESIN | PLATE AND ROPE CONNECTORS MADE OF INJECTION MOLDED POLYAMIDE | TUBE MADE OF LDPE POLYETHYLENE ROTATIONALLY MOLDED WITH THE INNER DIAMETER OF 53,3 CM AND THE LENGTH OF 125 CM |
| | | | | | |

