

## 1214



SLIDING



SOCIALIZING



CLIMBING



JUMPING



BALANCING

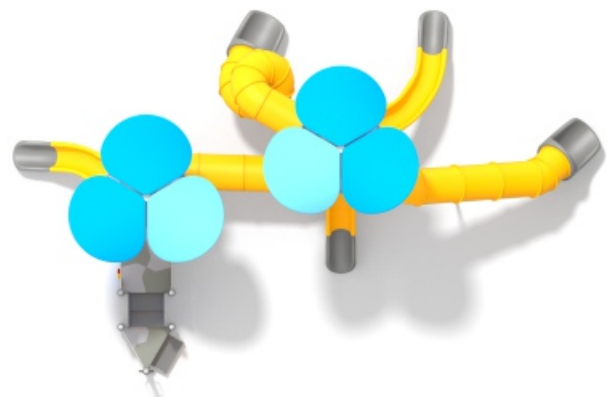


SENSORIAL INTEGRATION

### INFORMATION ABOUT THE PRODUCT

Dimensions	1267 x 785 cm
Safety zone	1655 x 1136 cm
Safety zone area	108,97 m <sup>2</sup>
Overall height	588 cm
Free fall height	270 cm
Amount of users	30
The heaviest element	55 kg
The biggest element	6 m
Product complies with EN 1176-1:2017-12	YES
Availability of spare parts	YES
Age range	1-12

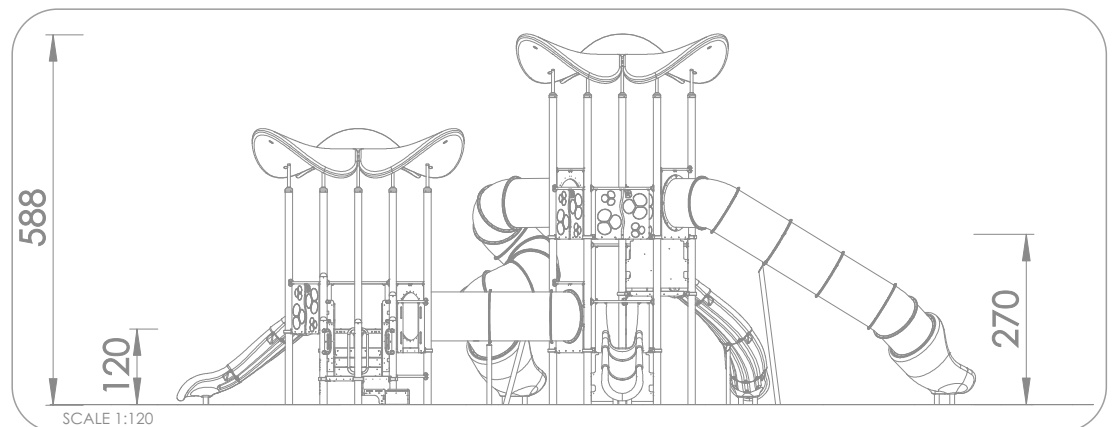
According to EN 1176-1:2017-12 norm, the product requires applying a safety surface according to the product's free fall height.



## 1214

OCEAN BLUE

FRESH GREEN



### MATERIALS:

<p>STEEL CONSTRUCTION: Ø114 PIPES, POWDER GALVANIZED AND COVERED IN POWDER COATING PAINT</p>	<p>FIXING FOR ROOFS: STAINLESS STEEL AISI304</p>	<p>PANELS: HDPE 15 MM</p>
		
<p>PLATFORM: STEEL SHEET GALVANIZED AND COVERED WITH POWDER COATING PAINT + HPL 6 MM</p>	<p>SLIDES AND ROOFS ARE MADE USING ROTOMOULDING TECHNIQUE USING LDPE MATERIAL.</p>	<p>CLIMBING WALLS AND SIDES OF STAIRS: HPL 13 MM</p>
		

