



SLIDING



SOCIALIZING

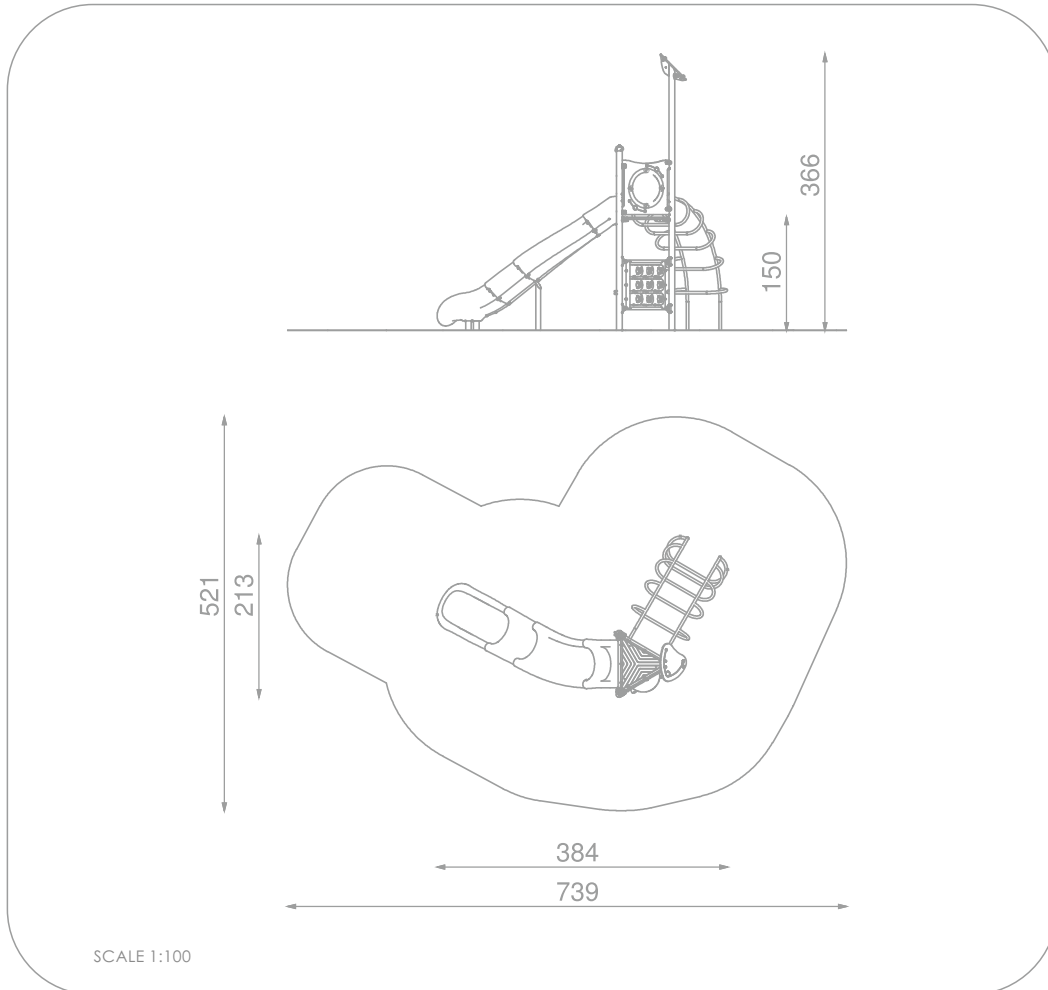
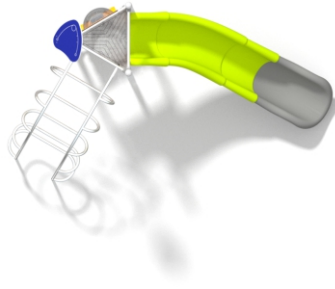


CLIMBING

#### INFORMATION ABOUT THE PRODUCT

Dimensions	213 x 384 cm
Safety zone	521 x 739 cm
Safety zone area	26,8 m <sup>2</sup>
Overall height	366 cm
Free fall height	150 cm
Amount of users	5
Product complies with PN-EN 1176-1:2017-12	YES
Availability of spare parts	YES
Age range	3-12
According to PN-EN 1176-1:2017-12 norm, the product requires applying a safety surface according to the product's free fall height.	





#### MATERIALS:

CONSTRUCTION MADE OF STAINLESS STEEL AISI 304	SAFE PIPE PLUGS MADE OF INJECTION MOLDED POLYAMID	PLATES OF THE WALLS MADE OF COLOURFUL TRIPLE LAYERED 15 MM HDPE POLYETHYLENE	HEMISPHERIC WINDOW WITH A DIAMETER OF 400 MM	
PLATES OF THE WALLS AND PLATFORMS MADE OF COLOURFUL 13 MM HPL	MODULAR POLYETHYLENE SLIDES MADE OF ROTOMOLDED LDPE TYPE MATERIAL	PLATE AND ROPE CONNECTORS MADE OF INJECTION MOLDED POLYAMIDE	THE TIC TAC TOE GAME IS MADE OF POLYETHYLENE ROTATIONALLY MOLDED WITH SYMBOLS ON THE FORM	CONNECTING ELEMENTS LIKE SCREWS, NUTS, WASHERS MADE OF STAINLESS STEEL