



SLIDING



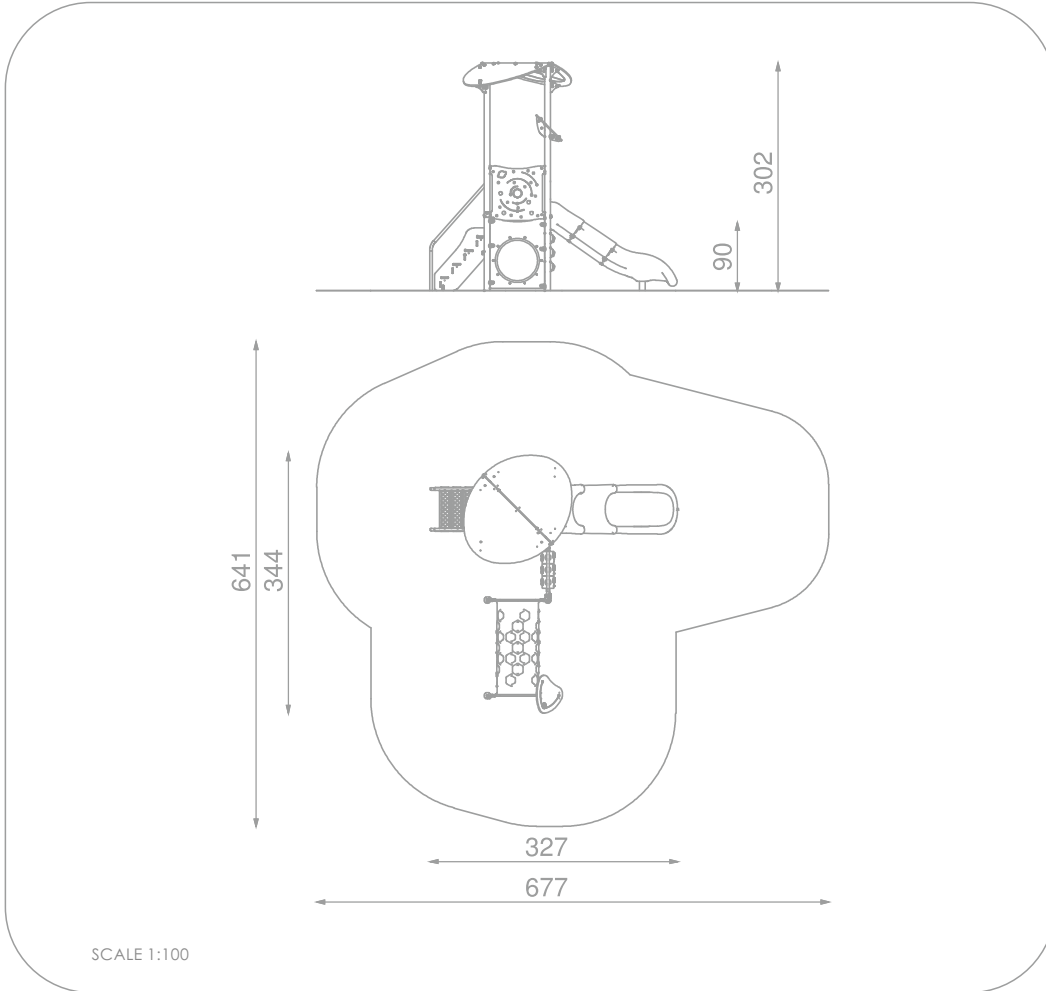
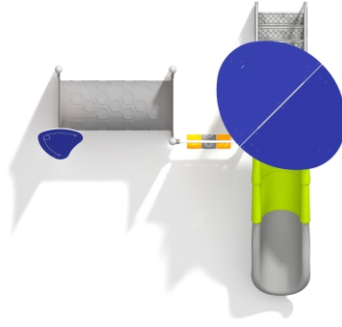
SOCIALIZING



#### INFORMATION ABOUT THE PRODUCT

Dimensions	344 x 327 cm
Safety zone	641 x 677 cm
Safety zone area	30,3 m <sup>2</sup>
Overall height	302 cm
Free fall height	90 cm
Amount of users	8
Product complies with EN 1176-1:2017-12	YES
Availability of spare parts	YES
Age range	1-8
According to EN 1176-1:2017-12 norm, the product requires applying a safety surface according to the product's free fall height.	





#### MATERIALS:

CONSTRUCTION MADE OF STAINLESS STEEL AISI 304	SAFE PIPE PLUGS MADE OF INJECTION MOLDED POLYAMID	PLATES OF THE WALLS MADE OF COLOURFUL TRIPLE LAYERED 15 MM HDPE POLYETHYLENE	HEMISPHERIC WINDOW WITH A DIAMETER OF 400 MM
PLATES OF THE WALLS AND PLATFORMS MADE OF COLOURFUL 13 MM HPL	MODULAR POLYETHYLENE SLIDES MADE OF ROTOMOULDED LDPE TYPE MATERIAL	PLATE AND ROPE CONNECTORS MADE OF INJECTION MOLDED POLYAMIDE	THE TIC TAC TOE GAME IS MADE OF POLYETHYLENE ROTATIONALLY MOLDED WITH SYMBOLS ON THE FORM
			TUBE MADE OF LDPE POLYETHYLENE ROTATIONALLY MOLDED WITH THE INNER DIAMETER OF 53,3 CM AND THE LENGTH OF 125 CM