

### 1709<sub>INOX</sub>



SLIDING



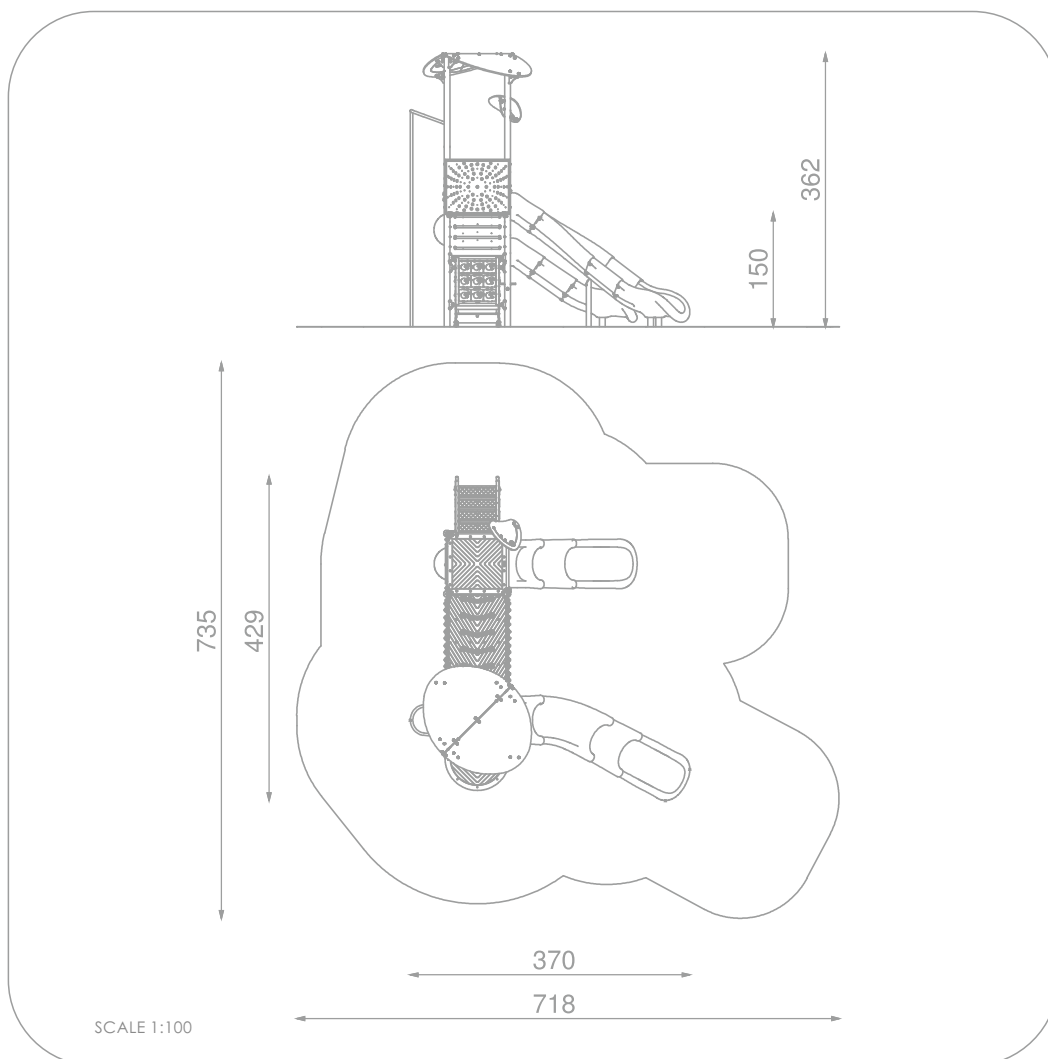
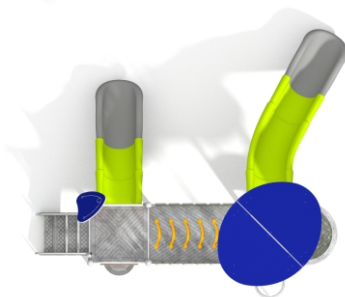
SOCIALIZING



#### INFORMATION ABOUT THE PRODUCT

Dimensions	429 x 370 cm
Safety zone	735 x 718 cm
Safety zone area	39 m <sup>2</sup>
Overall height	362 cm
Free fall height	150 cm
Amount of users	14
Product complies with EN 1176-1:2017-12	YES
Availability of spare parts	YES
Age range	1-8
According to EN 1176-1:2017-12 norm, the product requires applying a safety surface according to the product's free fall height.	





### MATERIALS:

CONSTRUCTION MADE OF STAINLESS STEEL AISI 304	THE TIC TAC TOE GAME IS MADE OF POLYETHYLENE ROTATIONALLY MOLDED WITH SYMBOLS ON THE FORM	PLATES OF THE WALLS MADE OF COLOURFUL TRIPLE LAYERED 15 MM HDPE POLYETHYLENE	HEMISPHERIC WINDOW WITH A DIAMETER OF 400 MM	SYSTEM OF CONNECTORS AND CLAMPS MADE OF STRONG ALUMINUM ALLOY
PLATES OF THE WALLS AND PLATFORMS MADE OF COLOURFUL 13 MM HPL	MODULAR POLYETHYLENE SLIDES MADE OF ROTOMOLDED LDPE TYPE MATERIAL	PLATE AND ROPE CONNECTORS MADE OF INJECTION MOLDED POLYAMIDE	CLIMBING ROCKS MADE OF CHIPPINGS AND COLOURFUL POLYESTER RESIN	CONNECTING ELEMENTS LIKE SCREWS, NUTS, WASHERS MADE OF STAINLESS STEEL