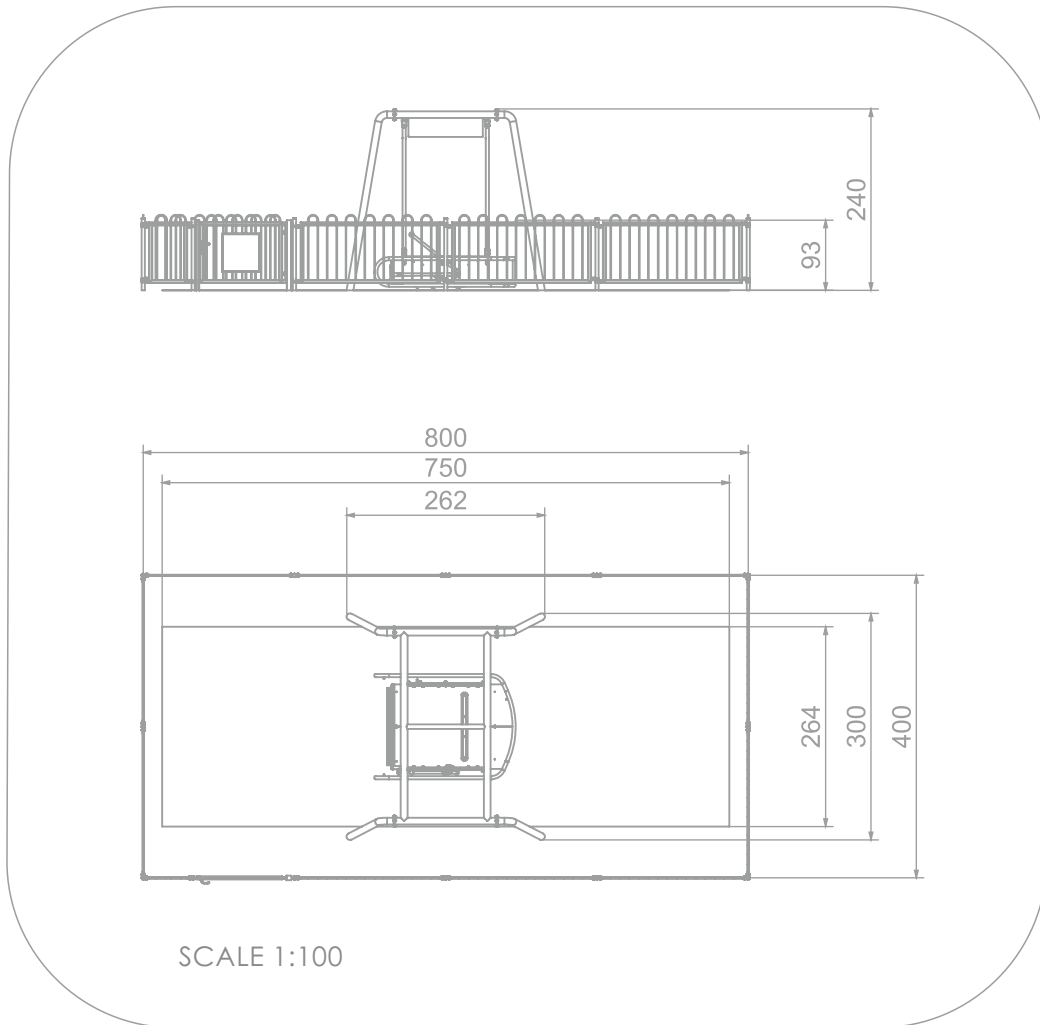




INFORMATION ABOUT THE PRODUCT

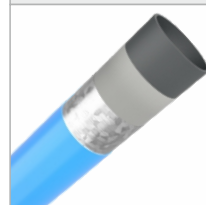
Dimensions	300 x 262 cm
Safety zone	264 x 750 cm
Safety zone area	20 m ²
Overall height	240 cm
Free fall height	93 cm
Amount of users	1
Product complies with EN 1176-1:2017-12	YES
Availability of spare parts	YES
Age range	3-12
<small>According to EN 1176-1:2017-12 norm, the product requires applying a safety surface according to the product's free fall height.</small>	





MATERIALS:

SOLID CONSTRUCTION MADE OF BLACK STEEL IS235JR, CLEANED THE SANDBLASTING PROCESS



PLATES OF THE WALLS MADE OF COLOURFUL TRIPLE LAYERED 15 MM HDPE POLYETHYLENE



ANTI-SLIP ALUMINUM CHECKER PLATE 2 MM THICK



INFORMATION BOARD WITH PRINTOUT ON UV-RESISTANT FOIL

