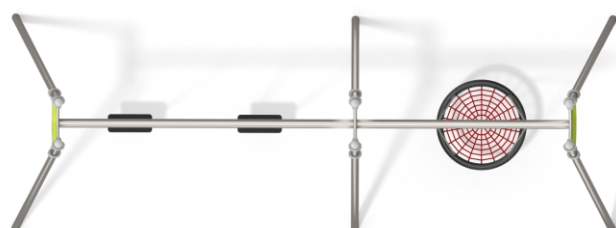


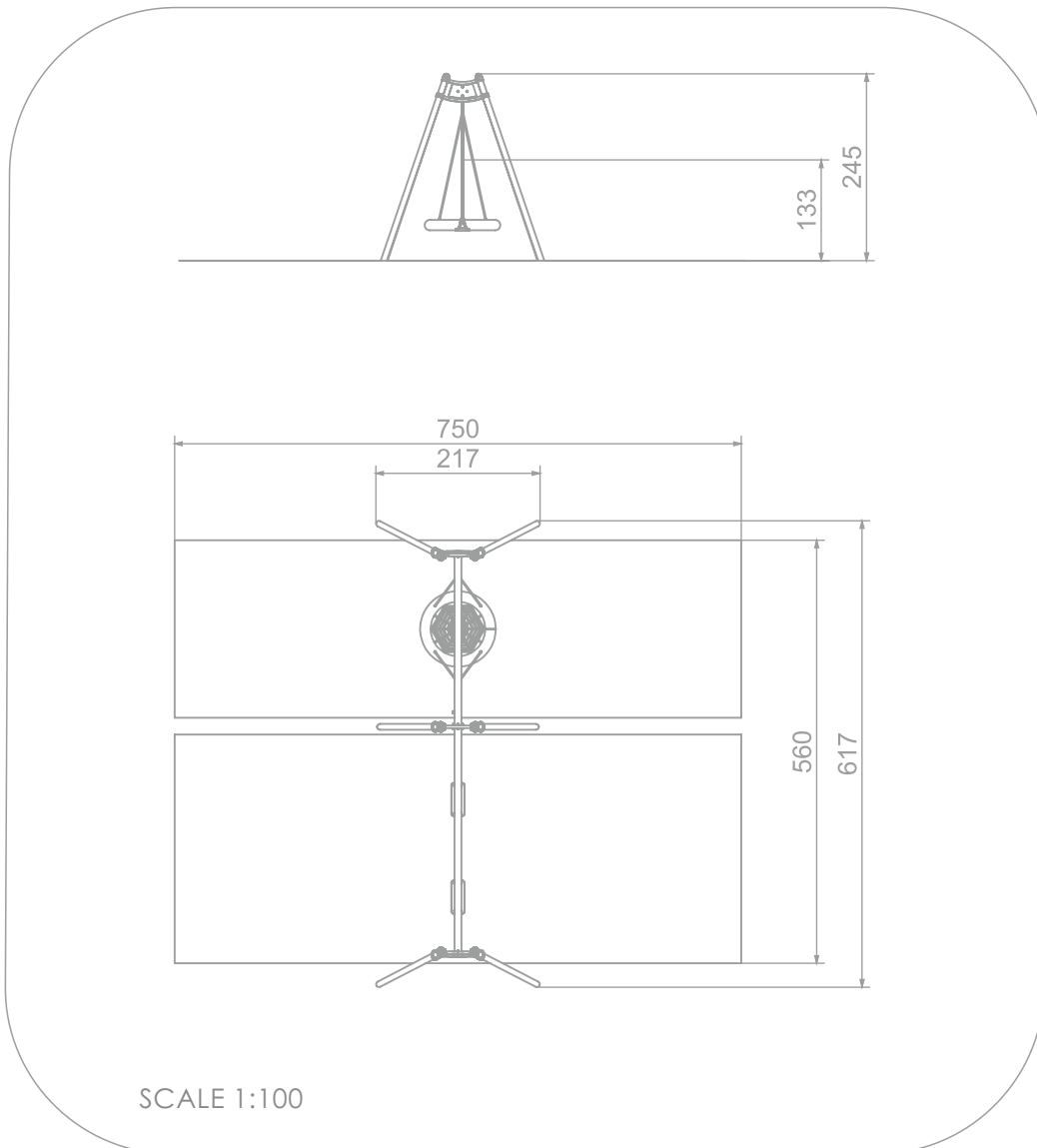


INFORMATION ABOUT THE PRODUCT

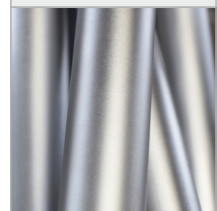


Dimensions	217 x 617 cm
Safety zone	750 x 560 cm
Safety zone area	41 m ²
Overall height	245 cm
Free fall height	133 cm
Amount of users	6
Product complies with EN 1176-1:2017-12	YES
Availability of spare parts	YES
Age range	3-12
<small>According to EN 1176-1:2017-12 norm, the product requires applying a safety surface according to the product's free fall height.</small>	



3021



MATERIALS:

<p>SOLID CONSTRUCTION MADE OF STAINLESS STEEL ASISI 304 TOTALLY</p>	<p>PLATES OF THE WALLS AND PLATFORMS MADE OF COLOURFUL 13 MM HPL</p>	<p>„BIRD NEST” TYPE SEAT WITH A DIAMETER OF 100 CM, HANGED ON 6 MM STAINLESS STEEL CHAINS</p>
		
<p>THE SEATS ARE MADE WITH AN ALUMINUM CONSTRUCTION COVERED WITH A SOFT EPDM RUBBER</p>	<p>SWING SLINGS, WITH DOUBLE BEARINGS</p>	<p>POST ENDINGS FINISHED WITH SOFT EPDM RUBBER</p>
