



SOCIALIZING



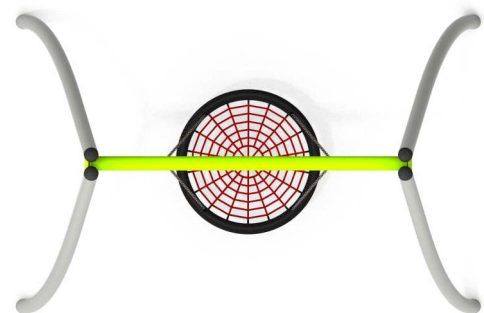
SWINGING

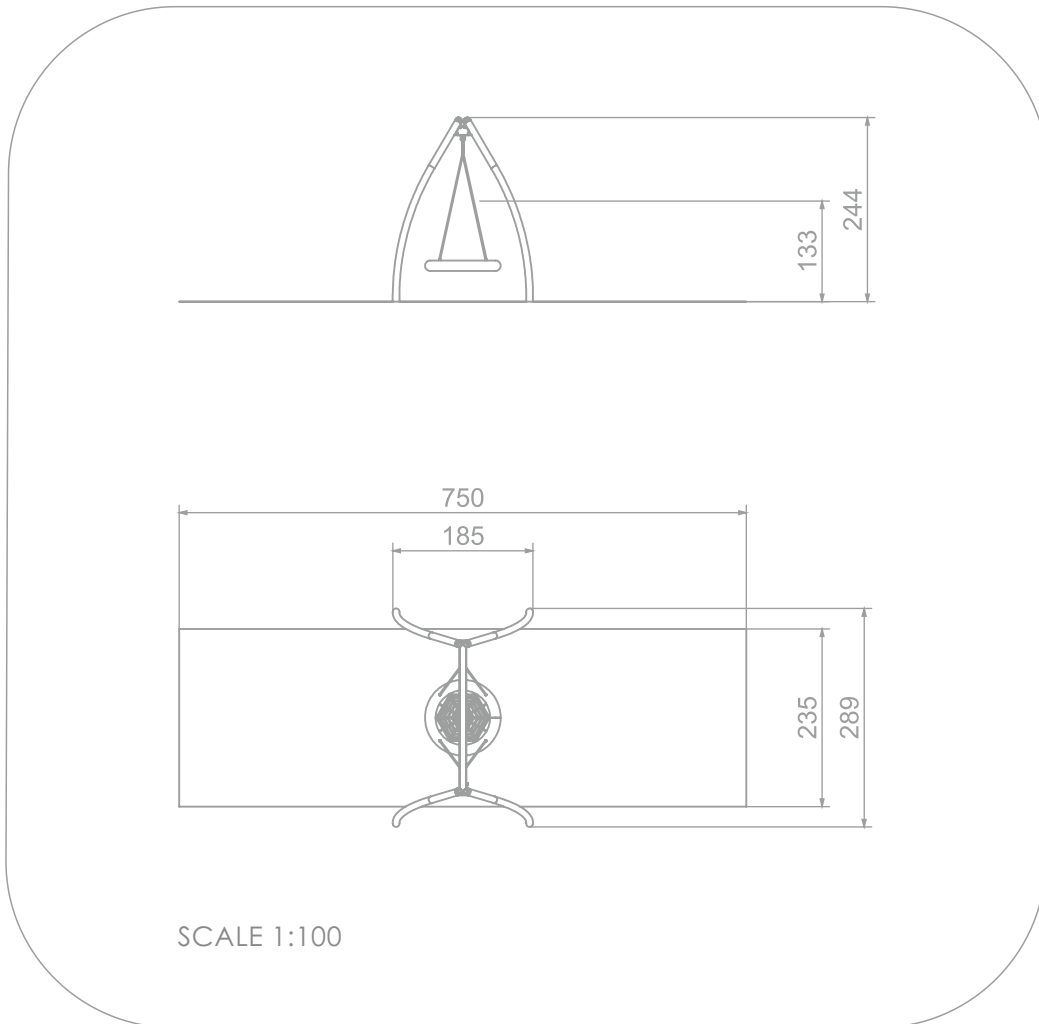


INFORMATION ABOUT THE PRODUCT

Dimensions	185 x 289 cm
Safety zone	750 x 235 cm
Safety zone area	18 m ²
Overall height	244 cm
Free fall height	133 cm
Amount of users	4
Product complies with EN 1176-1:2017-12	YES
Availability of spare parts	YES
Age range	3-12

According to EN 1176-1:2017-12 norm, the product requires applying a safety surface according to the product's free fall height.

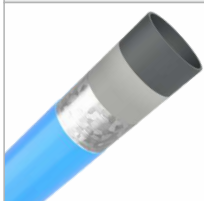




MATERIALS:

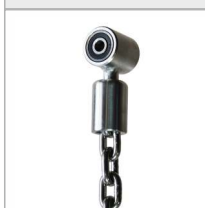
SOLID CONSTRUCTION MADE OF BLACK STEEL IS235JR, CLEANED THE SANDBLASTING PROCESS

„BRD NEST“ TYPE SEAT WITH A DIAMETER OF 100 CM, HANGED ON 6 MM STAINLESS STEEL CHAINS



POST ENDINGS FINISHED WITH SOFT EPDM RUBBER

SWING SLINGS, WITH DOUBLE BEARINGS



OPTIONAL:

APPROVED SEAT – SEAT TYPE – HANGED ON R 6 MM CHAINS MADE OF STAINLESS STEEL. METAL FRAME COVERED BY SOFT POLYPROPYLENE ROPE



APPROVED SEAT MADE WITH ROTOMOULDED METHOD, DEDICATED FOR DISABLED USERS

