



SOCIALIZING



CLIMBING

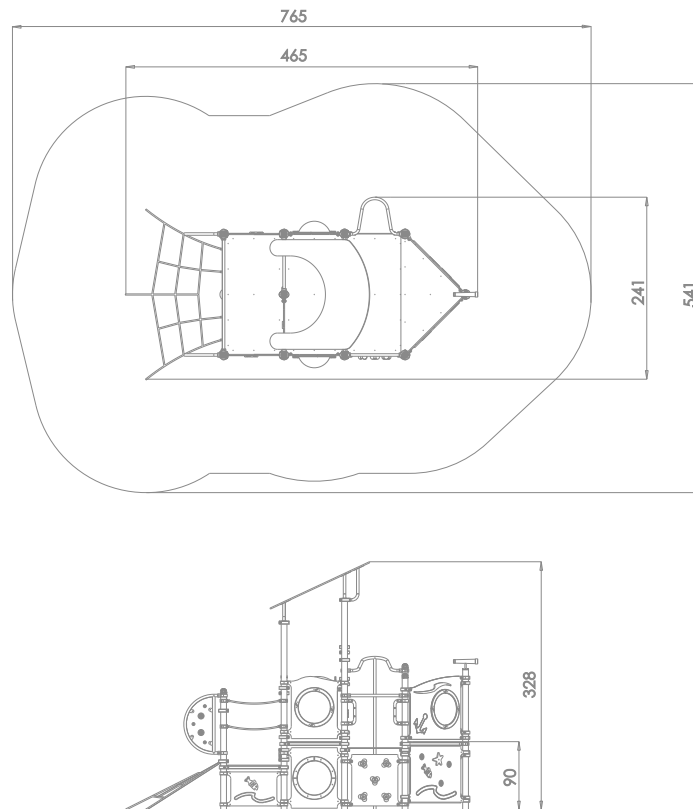
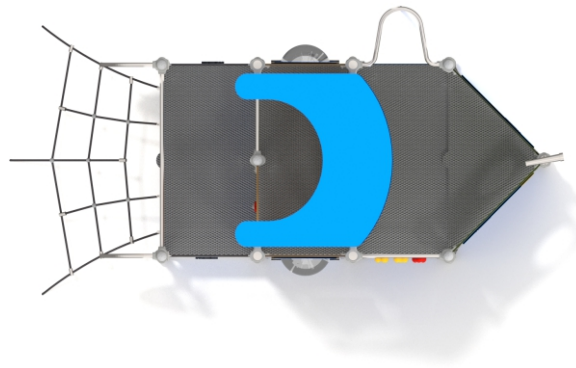


SENSORIAL
INTEGRATION

INFORMATION ABOUT THE PRODUCT



Dimensions	465 x 241 cm
Safety zone	765 x 541 cm
Safety zone area	34 m ²
Overall height	328 cm
Free fall height	90 cm
Amount of users	18
Product complies with EN 1176-1:2017-12	YES
Availability of spare parts	YES
Age range	3-12
According to EN 1176-1:2017-12 norm, the product requires applying a safety surface according to the product's free fall height.	





SCALE 1:100

MATERIALS:

ELEMENTS CONSTRUCTION MADE OF STAINLESS STEEL AISI 304	SOLID AND ESTHETIC ROPE CONNECTORS MADE OF INJECTION MOLDED POLYAMIDE.	PLATES OF THE WALLS MADE OF COLOURFUL TRIPLE LAYERED 15 MM HDPE POLYETHYLENE	POLYPROPYLENE ROPES PPMULTISPLIT TYPE WITH A STEEL CORE AND A DIAMETER OF 16 MM	
				
PLATES OF THE WALLS AND PLATFORMS MADE OF COLOURFUL 13 MM HPL	CLIMBING ROCKS MADE OF CHIPPINGS AND COLOURFUL POLYESTER RESIN	HEMISPHERIC WINDOW WITH A DIAMETER OF 400 MM	ROPE ENDINGS PRESSED IN A SLEEVE MADE OF DURABLE ALUMINUM ALLOY	SAFE PIPE PLUGS MADE OF INJECTION MOLDED POLYAMID
		