

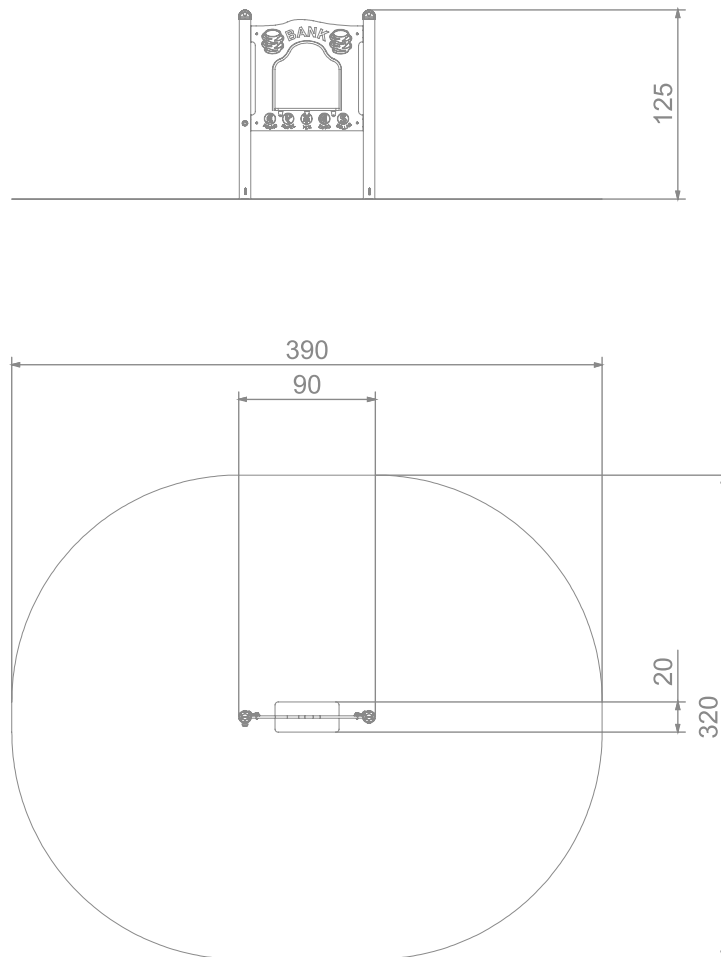
INFORMATION ABOUT THE PRODUCT

| | |
|---|-------------------|
| Dimensions | 20 x 90 cm |
| Safety zone | 320 x 390 cm |
| Safety zone area | 11 m ² |
| Overall height | 125 cm |
| Free fall height | |
| Amount of users | 2 |
| Product complies with EN 1176-1:2017-12 | YES |
| Availability of spare parts | YES |
| Age range | 1-7 |

According to EN 1176-1:2017-12 norm, the product requires applying a safety surface according to the product's free fall height.



4127



SCALE 1:50

MATERIALS:

SOLID CONSTRUCTION
MADE OF STAINLESS STEEL
AISI 304 TOTALLY RESISTANT
TO WEATHER CONDITIONS



PLATES OF THE WALLS MADE
OF COLORFUL TRIPLE
LAYERED 15 MM HDPE
POLYETHYLENE



SAFE PIPE PLUGS MADE OF
INJECTION MOLDED
POLYAMIDE



PLATE AND ROPE
CONNECTORS MADE OF
INJECTION MOLDED
POLYAMIDE

