

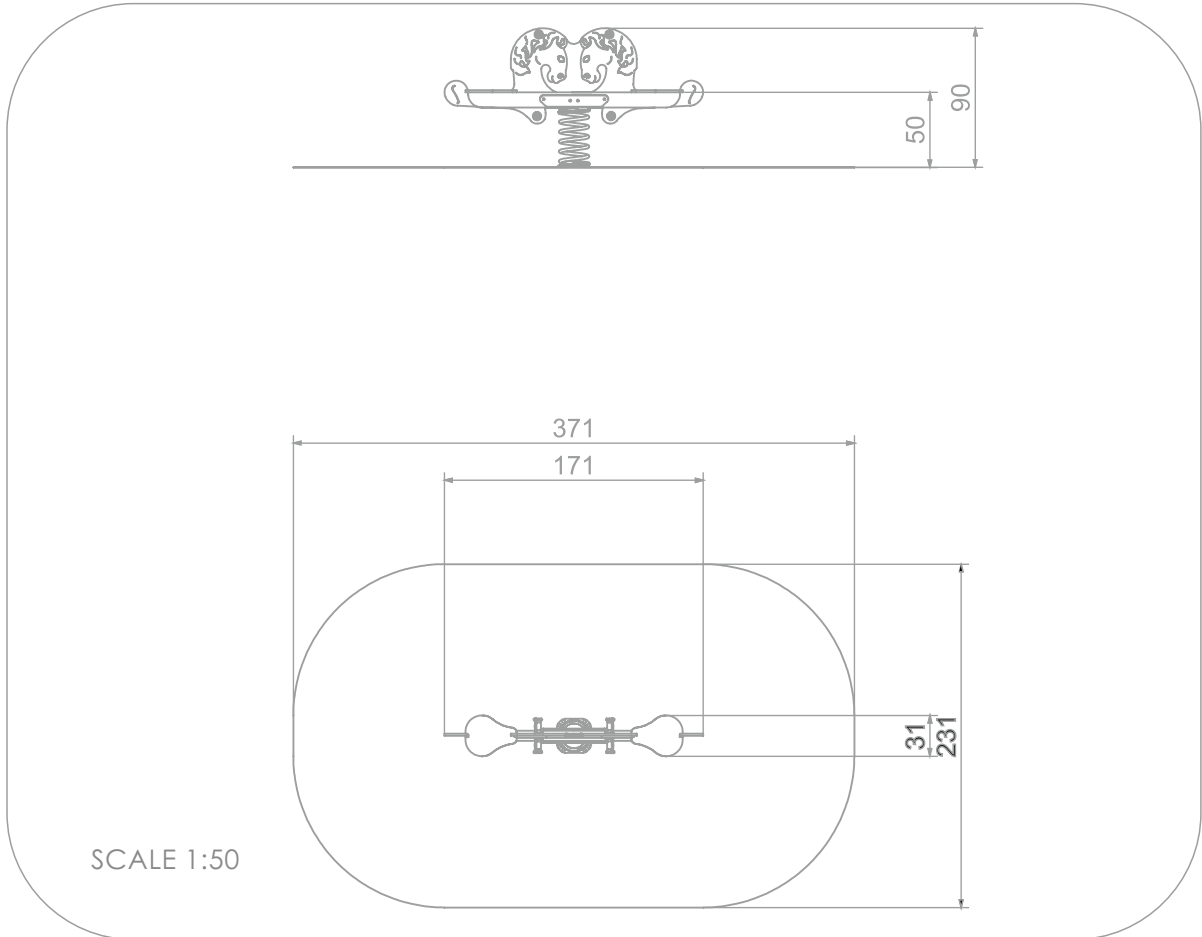
INFORMATION ABOUT THE PRODUCT

Dimensions	31 x 171 cm
Safety zone	231 x 371 cm
Safety zone area	8 m ²
Overall height	90 cm
Free fall height	50 cm
Amount of users	2
Product complies with EN 1176-1:2017-12	YES
Availability of spare parts	YES
Age range	1-12

According to EN 1176-1:2017-12 norm, the product requires applying a safety surface according to the product's free fall height.



5013



MATERIALS:

HANDHOLD MADE OF INJECTION MOLDED POLYAMIDE	PLATES OF THE WALLS MADE OF COLOURFUL TRIPLE LAYERED 15 MM HDPE POLYETHYLENE	SPRINGERS' SPRINGS MADE OF SPRING STEEL

