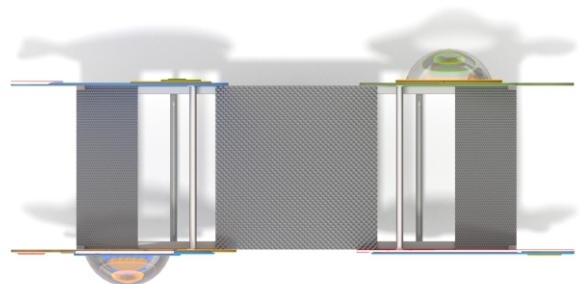
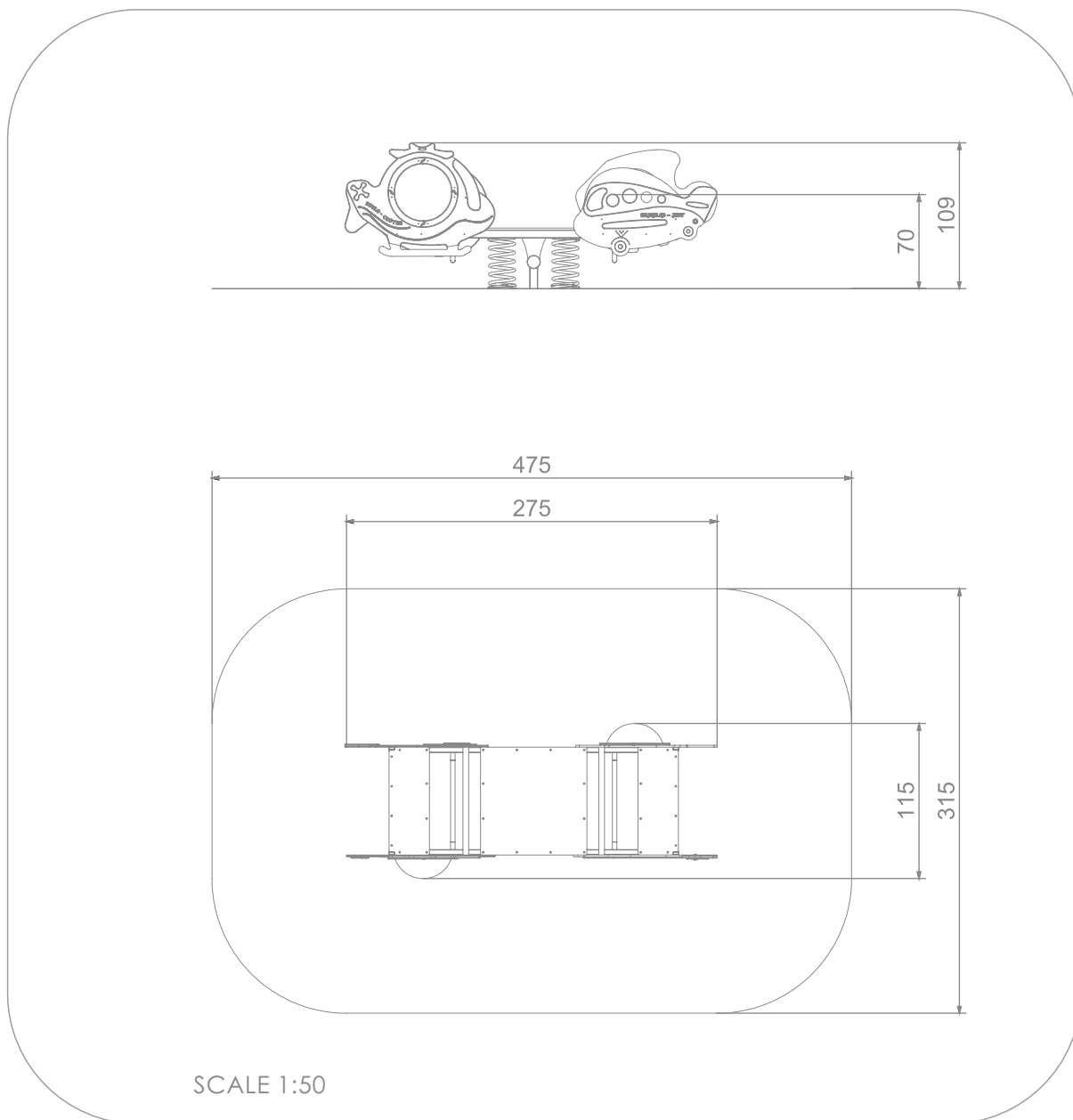


INFORMATION ABOUT THE PRODUCT

Dimensions	275 x 115 cm
Safety zone	475 x 315 cm
Safety zone area	15 m ²
Overall height	109 cm
Free fall height	70 cm
Amount of users	8
Product complies with EN 1176-1:2017-12	YES
Availability of spare parts	YES
Age range	1-12

According to EN 1176-1:2017-12 norm, the product requires applying a safety surface according to the product's free fall height.





MATERIALS:

PLATES OF THE WALLS MADE OF COLOURFUL TRIPLE LAYERED 15 MM HDPE POLYETHYLENE



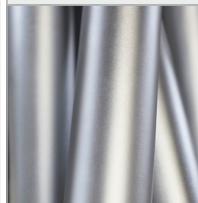
HEMISPHERIC WINDOW WITH A DIAMETER OF 400 MM



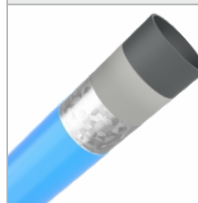
SPRINGERS' SPRINGS MADE OF SPRING STEEL



ELEMENTS CONSTRUCTION MADE OF STAINLESS STEEL AISI 304



SOLID CONSTRUCTION MADE OF BLACK STEEL IS235JR, CLEANED THE SANDBLASTING PROCESS



ANTI-SLIP 10 MM HPL PLATFORM PLATE

