



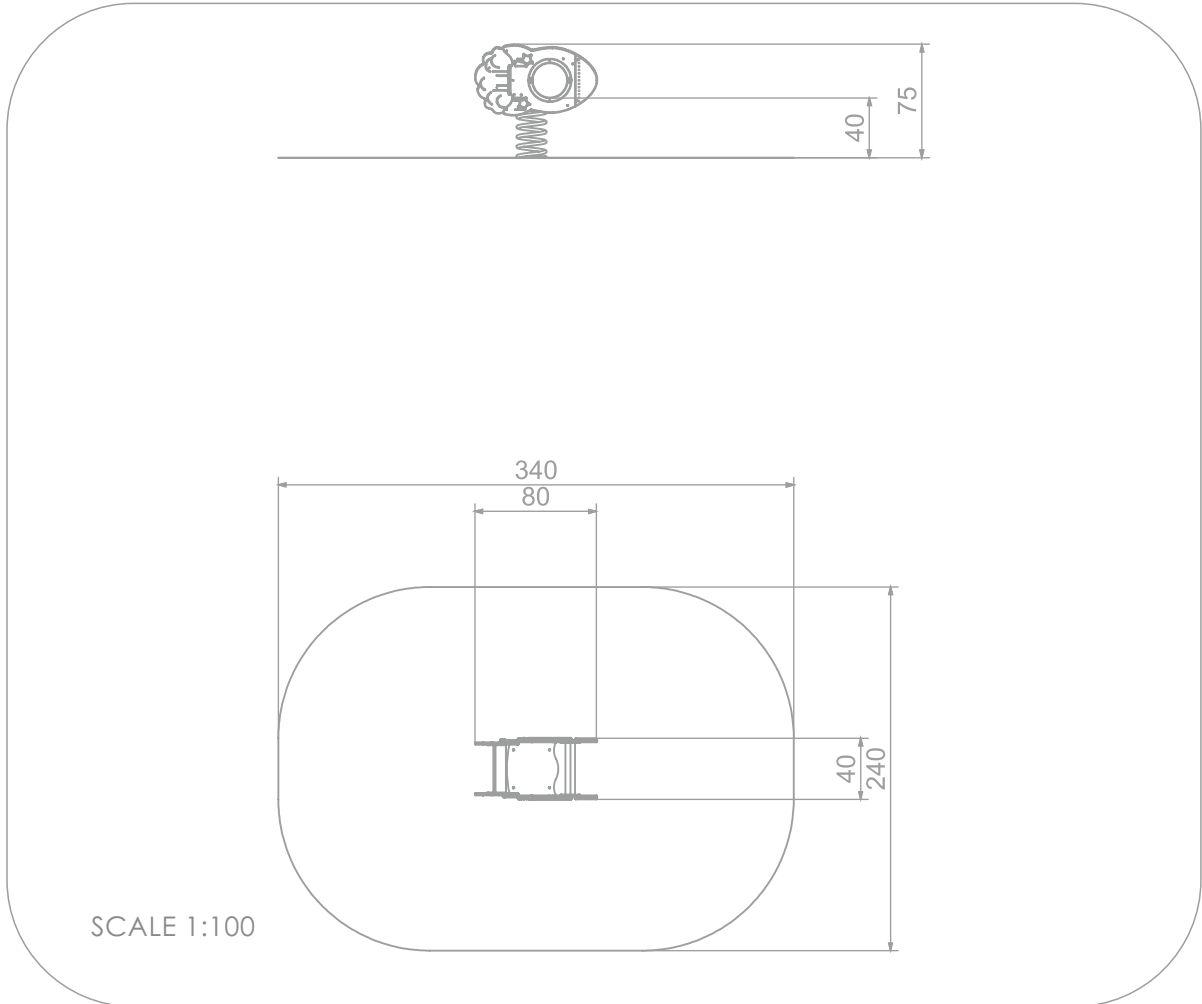
INFORMATION ABOUT THE PRODUCT

Dimensions	80 x 40 cm
Safety zone	340 x 240 cm
Safety zone area	6 m ²
Overall height	75 cm
Free fall height	40 cm
Amount of users	1
Product complies with EN 1176-1:2017-12	YES
Availability of spare parts	YES
Age range	1-12

According to EN 1176-1:2017-12 norm, the product requires applying a safety surface according to the product's free fall height.



5026



MATERIALS:

<p>ELEMENTS CONSTRUCTION MADE OF STAINLESS STEEL ASISI 304</p>	<p>PLATES OF THE WALLS MADE OF COLOURFUL TRIPLE LAYERED 15 MM HDPE POLYETHYLENE</p>	<p>SPRINGERS' SPRINGS MADE OF SPRING STEEL</p>
		
<p>PLATE AND ROPE CONNECTORS MADE OF INJECTION MOLDED POLYAMIDE</p>	<p>CONNECTING ELEMNTS LIKE SCREWS, NUTS, WASHERS MADE OF STAINLESS STEEL</p>	
		

