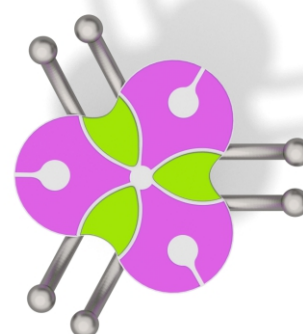
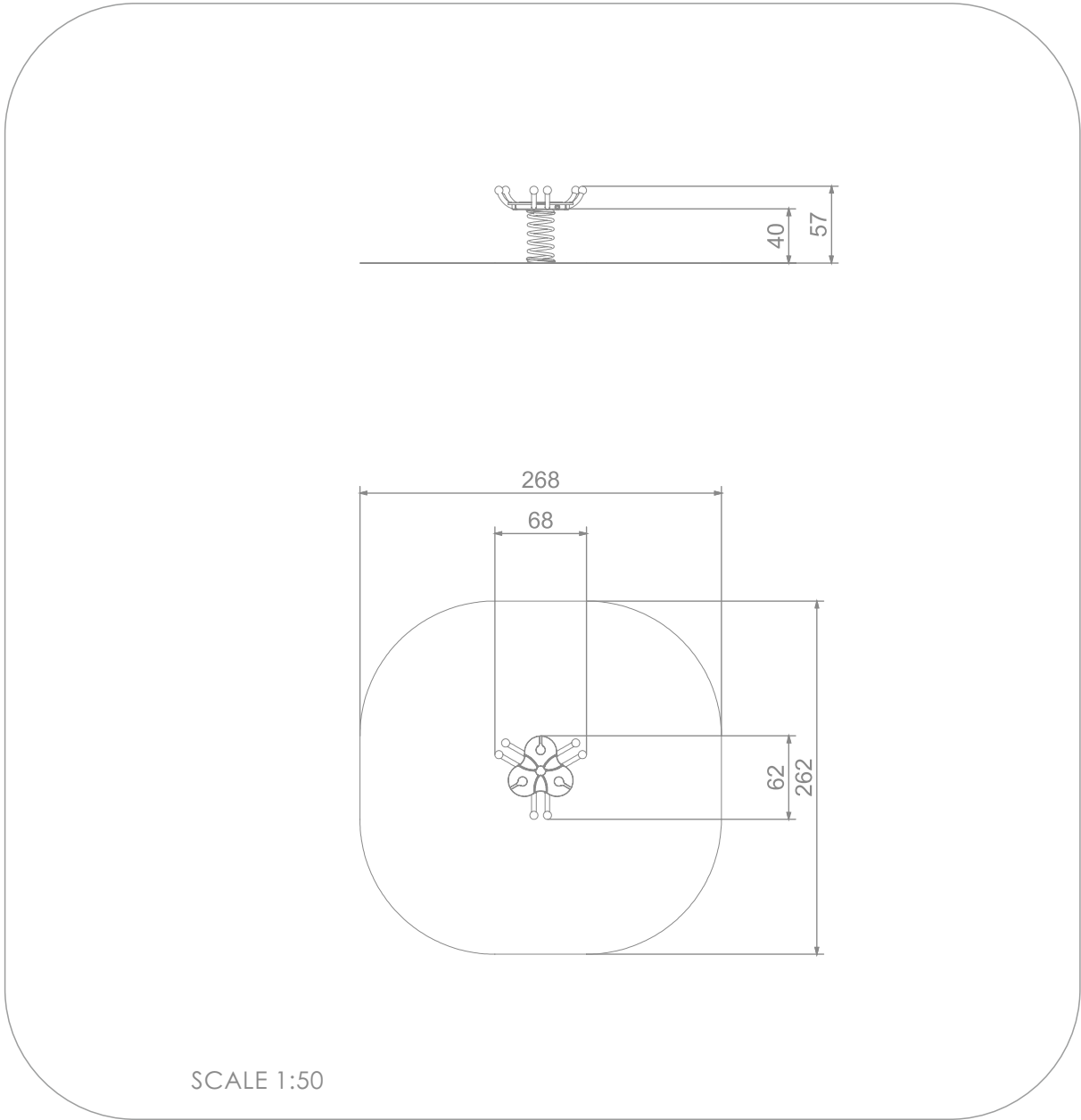


### INFORMATION ABOUT THE PRODUCT

Dimensions	62 x 68 cm
Safety zone	262 x 268 cm
Safety zone area	7 m <sup>2</sup>
Overall height	57 cm
Free fall height	40 cm
Amount of users	1
Product complies with EN 1176-1:2017-12	YES
Availability of spare parts	YES
Age range	1-12

According to EN 1176-1:2017-12 norm, the product requires applying a safety surface according to the product's free fall height.





### MATERIALS:

SOLID CONSTRUCTION  
MADE OF STAINLESS STEEL  
ASISI 304



PLATES OF THE WALLS  
MADE OF COLOURFUL  
TRIPLE LAYERED 15 MM  
HDPE POLYETHYLENE



SPRINGERS' SPRINGS MADE  
OF SPRING STEEL

