

5029



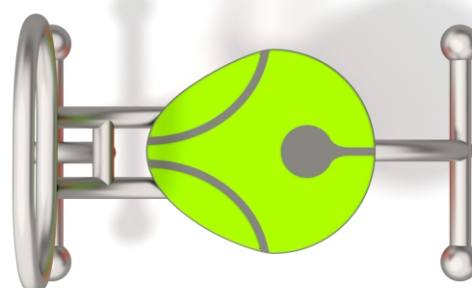
SOCJALIZACJA



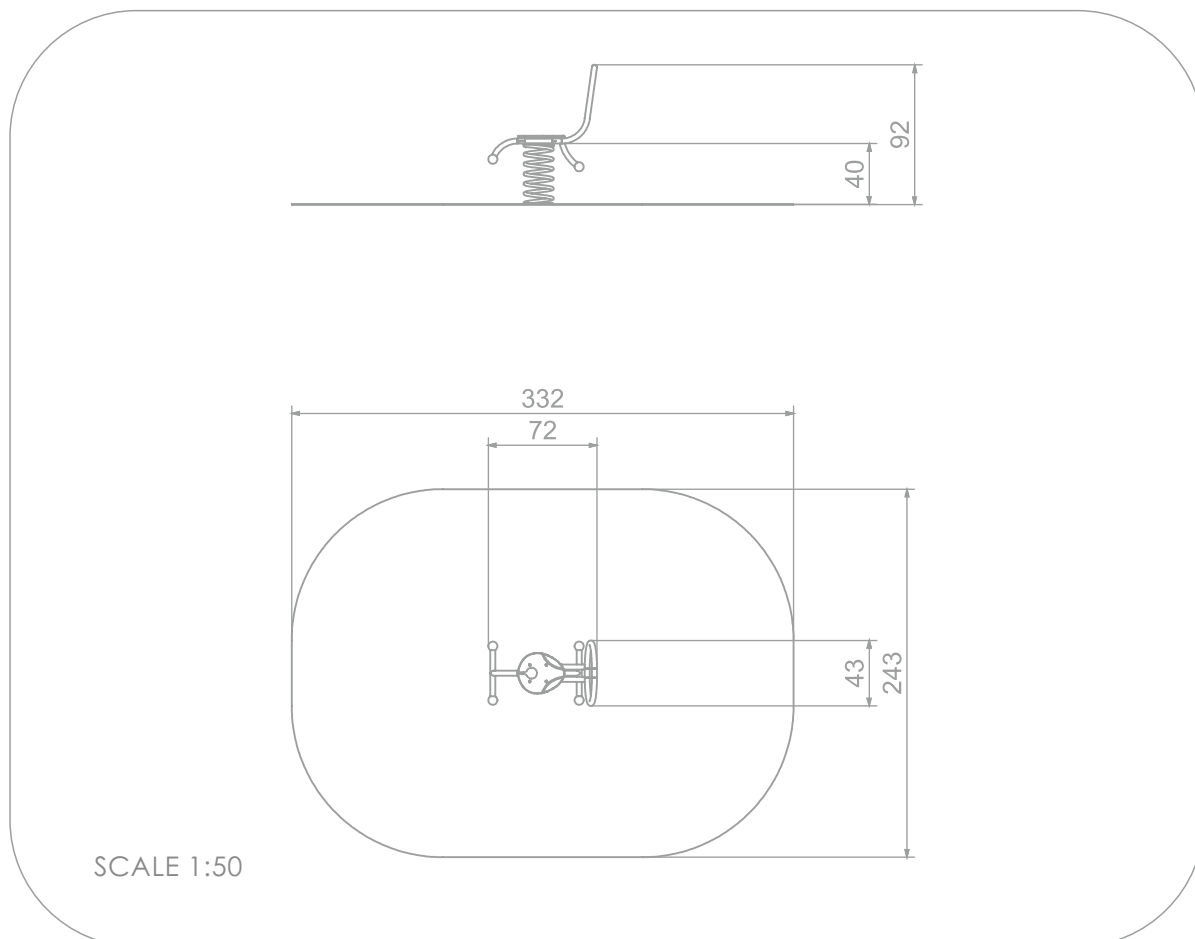
INFORMATION ABOUT THE PRODUCT

Dimensions	72 x 43 cm
Safety zone	332 x 243 cm
Safety zone area	6 m ²
Overall height	92 cm
Free fall height	40 cm
Amount of users	1
Product complies with EN 1176-1:2017-12	YES
Availability of spare parts	YES
Age range	1-12

According to EN 1176-1:2017-12 norm, the product requires applying a safety surface according to the product's free fall height.



5029



MATERIALS:

SOLID CONSTRUCTION
MADE OF STAINLESS STEEL
ASISI 304



PLATES OF THE WALLS
MADE OF COLOURFUL
TRIPLE LAYERED 15 MM
HDPE POLYETHYLENE



SPRINGERS' SPRINGS MADE
OF SPRING STEEL

