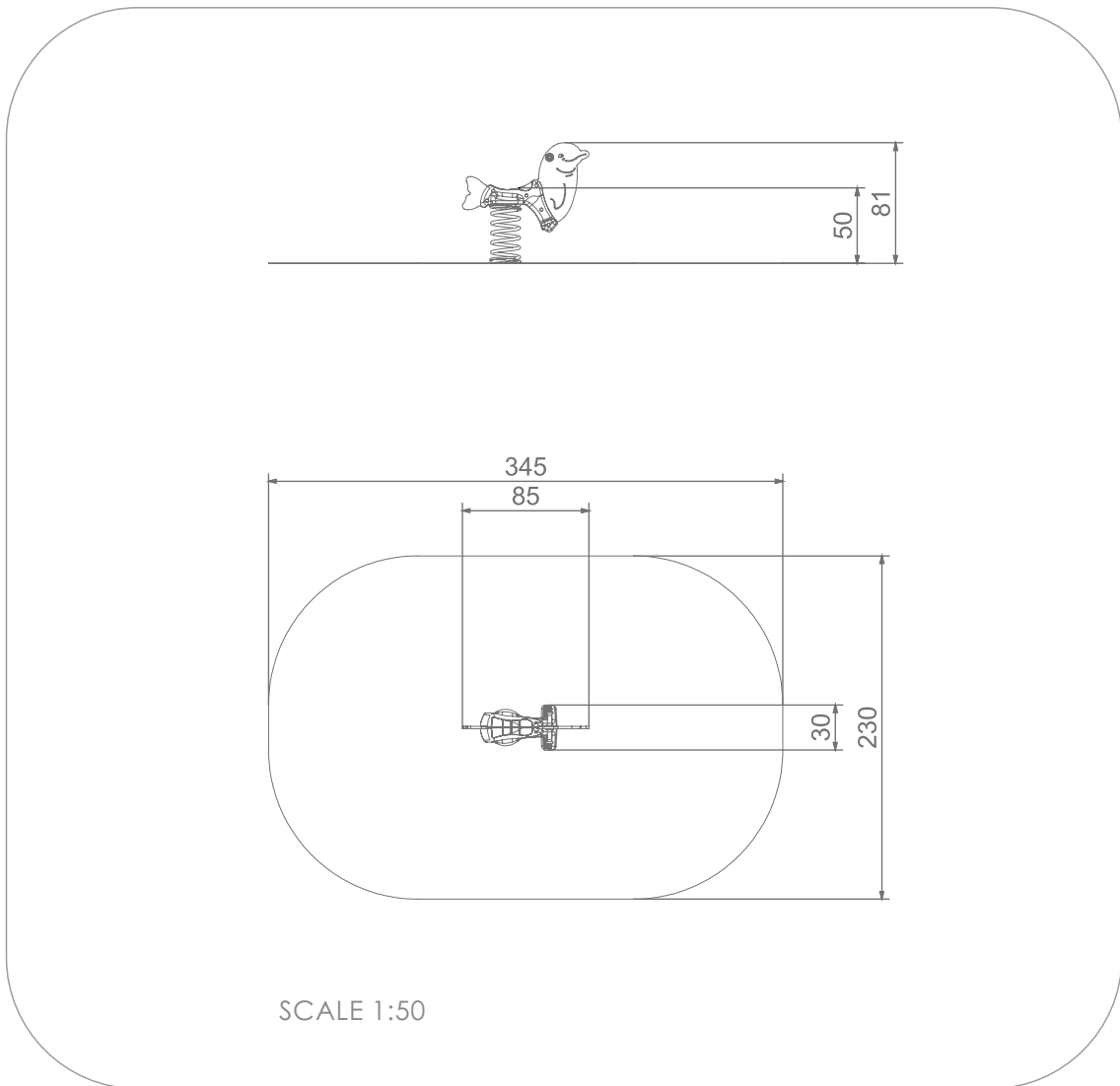


INFORMATION ABOUT THE PRODUCT

Dimensions	85 x 30 cm
Safety zone	345 x 230 cm
Safety zone area	11 m ²
Overall height	81 cm
Free fall height	50 cm
Amount of users	1
Product complies with PN-EN 1176-1:2017-12	YES
Availability of spare parts	YES
Age range	1-12
According to PN-EN 1176-1:2017-12 norm, the product requires applying a safety surface according to the product's free fall height.	



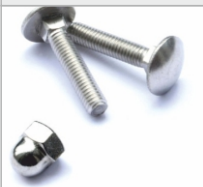


MATERIALS:

HANDHOLD MADE OF INJECTION MOLDED POLYAMIDE



CONNECTING ELEMNTS LIKE SCREWS, NUTS, WASHERS MADE OF STAINLESS STEEL



PLATES OF THE WALLS MADE OF COLOURFUL TRIPLE LAYERED 15 MM HDPE POLYETHYLENE



SPRINGERS' SPRINGS MADE OF SPRING STEEL

