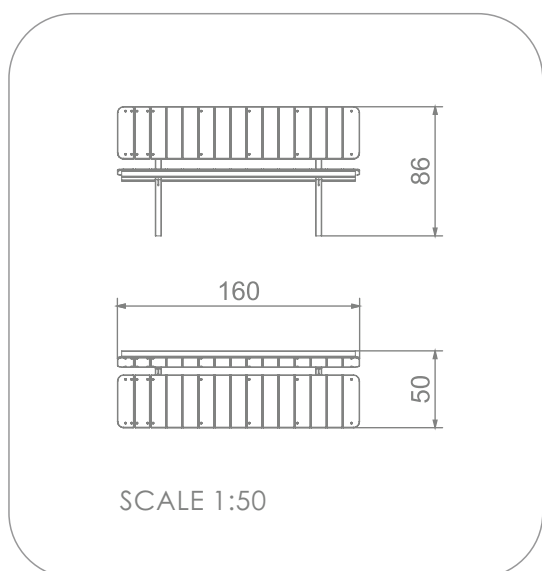


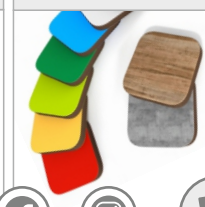
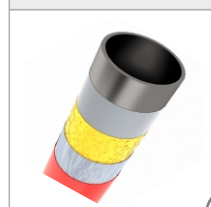
### 6026



#### MATERIALS:

SOLID CONSTRUCTION MADE OF BLACKSTEEL S235JR, CLEANED IN THE SANDBLASTING PROCESS

PLATES OF THE WALLS AND PLATFORMS MADE OF COLOURFUL 13 MM HPL



#### INFORMATION ABOUT THE PRODUCT

Dimensions	160 x 50 cm
Overall height	86 cm
Availability of spare parts	YES

