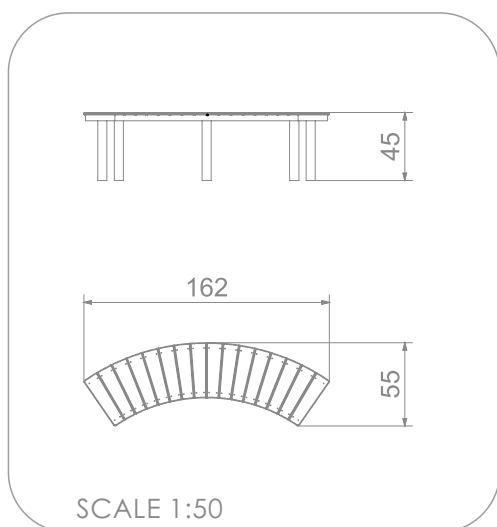


6032



MATERIALS:

SOLID CONSTRUCTION
MADE OF BLACKSTEEL
S235JR. CLEANED IN THE
SANDBLASTING PROCESS

PLATES OF THE WALLS
MADE OF COLOURFUL
TRIPLE LAYERED 15 MM
HDPE POLYETHYLENE,
IN THE HIGHEST QUALITY



INFORMATION ABOUT THE PRODUCT

Dimensions	162 x 55 cm
Overall height	45 cm
Availability of spare parts	YES

