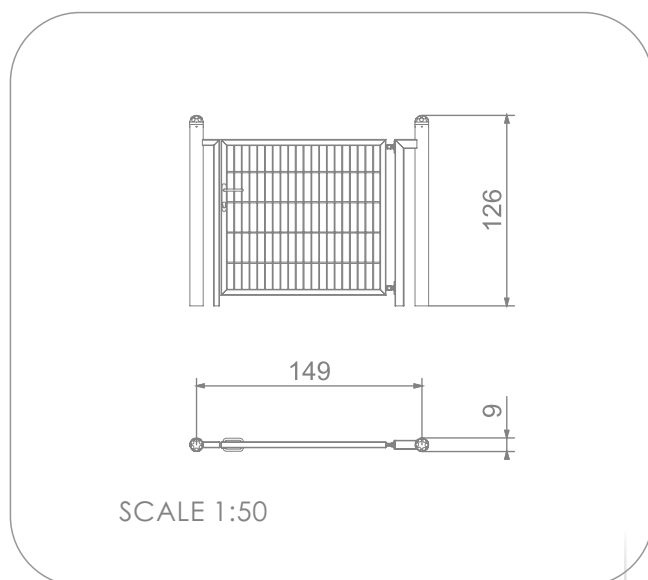


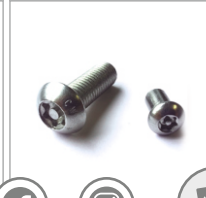
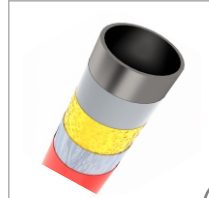
### 6086



#### MATERIALS:

SOLID CONSTRUCTION  
MADE OF BLACKSTEEL  
S235JR, CLEANED IN THE  
SANDBLASTING PROCESS

CONNECTING ELEMENTS  
LIKE SCREWS, NUTS,  
WASHERS MADE OF  
STAINLESS STEEL



#### INFORMATION ABOUT THE PRODUCT

Dimensions	9 x 149 cm
Overall height	126 cm
Availability of spare parts	YES

