



SLIDING



SOCIALIZING



SENSORY INTEGRATION



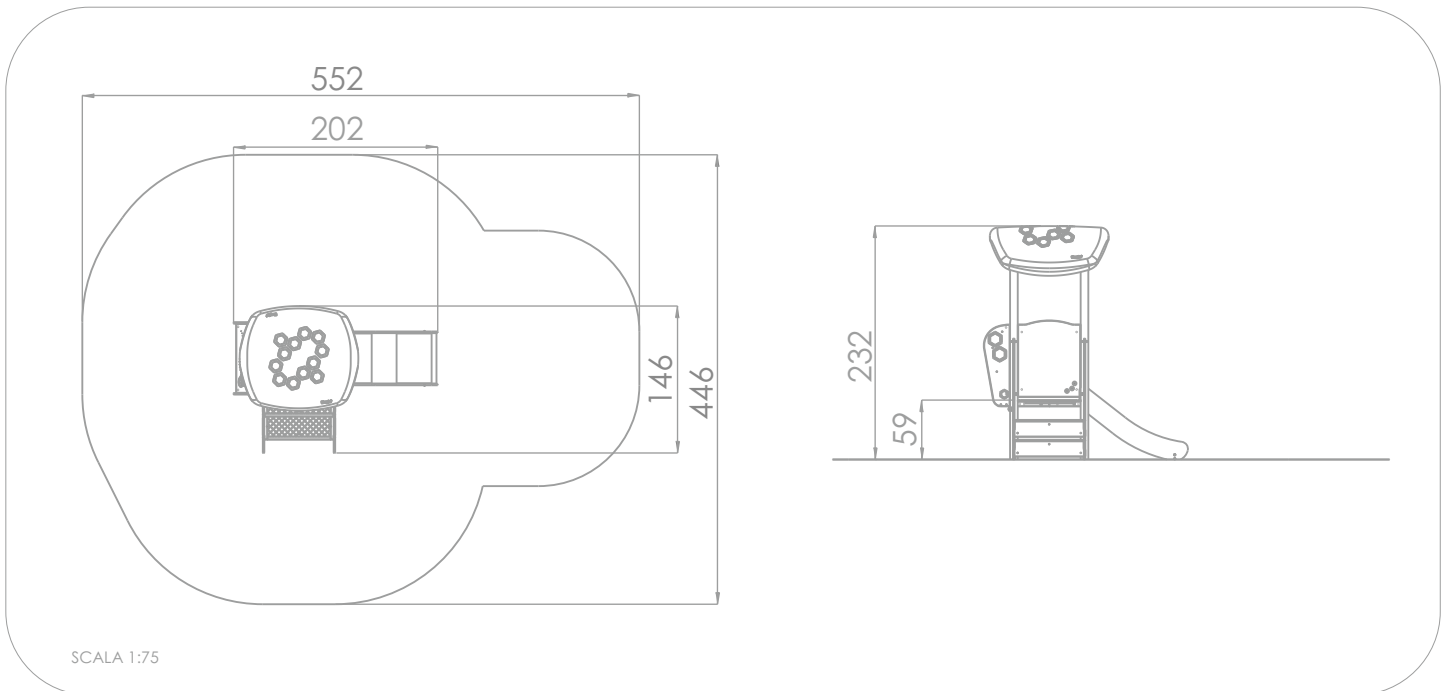
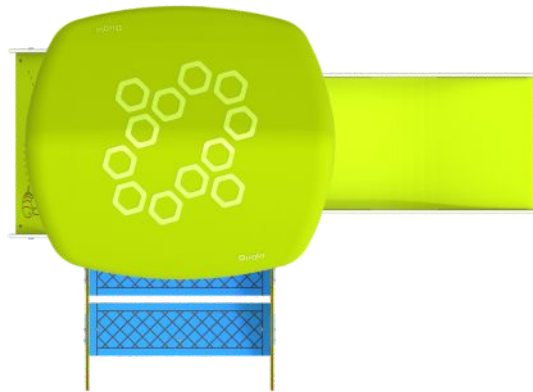
JUMPING

INFORMATION ABOUT THE PRODUCT

Dimensions	146 x 202 cm
Safety zone	446 x 552 cm
Safety zone area	18,99 m ²
Overall height	232 cm
Free fall height	59 cm
Amount of users	6
Product complies with EN 1176-1:2017-12	YES
Availability of spare parts	YES
Age range	1-8

According to EN 1176-1:2017-12 norm, the product requires applying a safety surface according to the product's free fall height.





MATERIALS:

<p>STEEL CONSTRUCTION: STAINLESS STEEL AISI304</p> 	<p>ROOFS MADE OF POLYETHYLENE ROTATIONALLY MOLDED.</p> 	<p>PLATES: HDPE 15 MM</p> 	<p>BALCONY: HDPE 15 MM.</p> 
<p>ELEMENTS: HPL 13 MM</p> 	<p>SLIDES FOR SMALL CHILDREN MADE OF POLYESTER RESIN. SLIDEPANELS MADE OF HDPE POLYETHYLENE 15 MM, RESISTANT TO UV.</p> 	<p>PLATE AND ROPE CONNECTORS AND SAFE PIPE PLUGS MADE OF INJECTION MOLDED POLYAMIDE.</p> 	<p>MODULE, WHICH ALLOWS TO MOVE SHAPES ON THE MILLED TRACKS. CORRECTS VISUAL-MOTOR COORDINATION. MADE OF 15 MM HDPE PLATES.</p> 