



SOCIALIZING



SENSORIAL
INTEGRATION

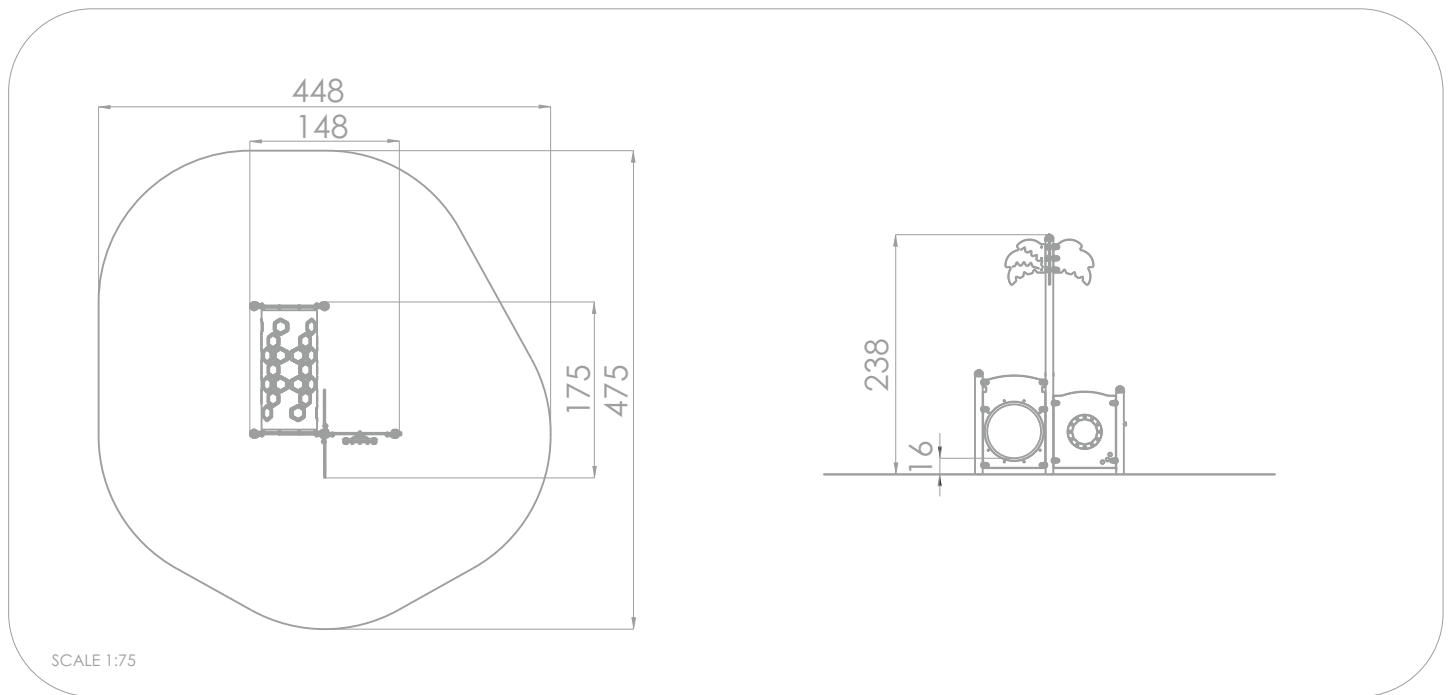
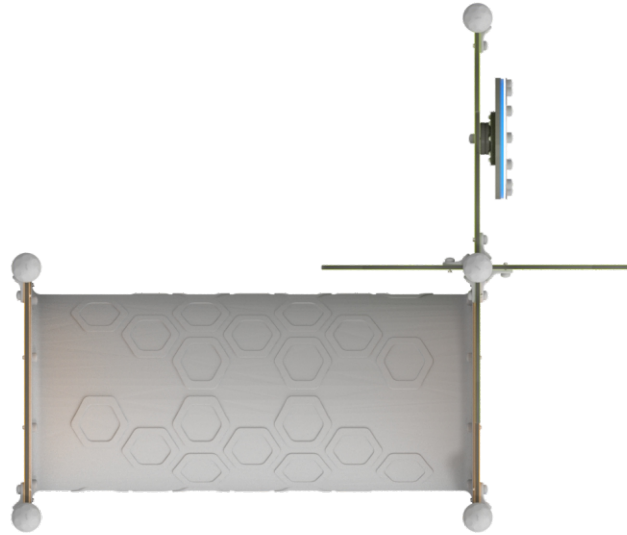


INFORMATION ABOUT THE PRODUCT

Dimensions	148 x 175 cm
Safety zone	448 x 475 cm
Safety zone area	16,85 m ²
Overall height	238 cm
Free fall height	16 cm
Amount of users	3
Product complies with EN 1176-1:2017-12	YES
Availability of spare parts	YES
Age range	1-8

According to EN 1176-1:2017-12 norm, the product requires applying a safety surface according to the product's free fall height.





MATERIALS:

<p>STEEL CONSTRUCTION: STAINLESS STEEL AISI304</p>	<p>PLATES: HDPE 15 MM</p>	<p>ROTARY MODULE, WHICH ALLOWS TO MOVE THE BALL IN THE MAZE</p>	
			
<p>ELEMENTS: HPL 13 MM</p>	<p>TUBE MADE OF LDPE POLYETHYLENE ROTATIONALLY MOLDED WITH THE INNER DIAMETER OF 53.3 CM AND THE LENGTH OF 125 CM</p>	<p>PLATE AND ROPE CONNECTORS AND SAFE PIPE PLUGS MADE OF INJECTION MOLDED POLYAMIDE</p>	<p>BALCONY: HDP 15 MM</p>
