



SOCIALIZING



SENSORIAL  
INTEGRATION

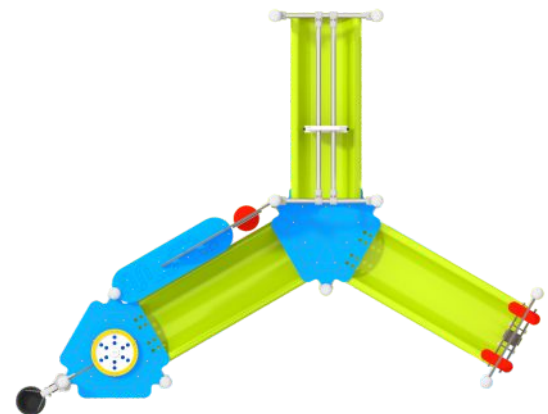


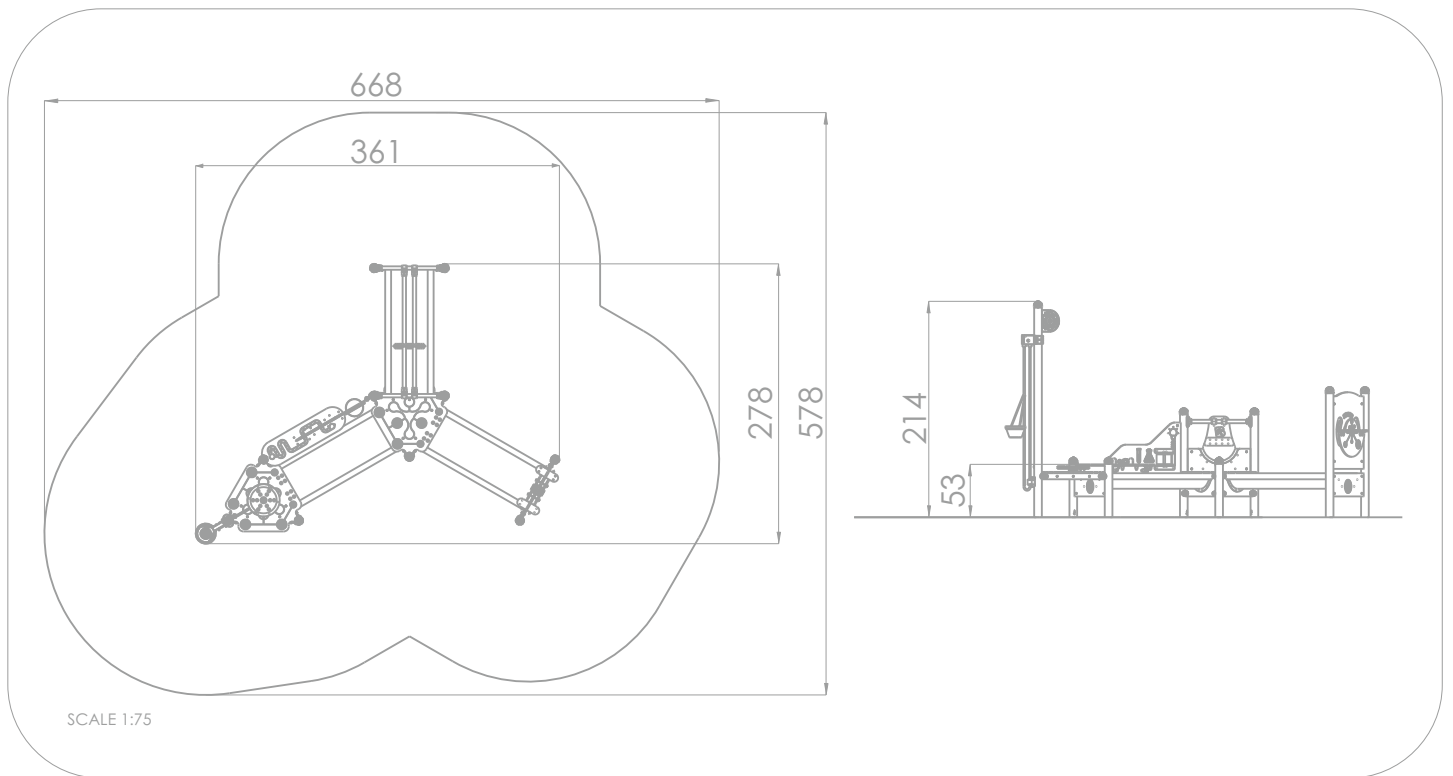
SAND  
PLAYING

#### INFORMATION ABOUT THE PRODUCT

Dimensions	361 x 278 cm
Safety zone	668 x 578 cm
Safety zone area	27,83 m <sup>2</sup>
Overall height	214 cm
Free fall height	53 cm
Amount of users	10
Product complies with EN 1176-1:2017-12	YES
Availability of spare parts	YES
Age range	1-8

According to EN 1176-1:2017-12 norm, the product requires applying a safety surface according to the product's free fall height.





### MATERIALS:

<p>CLIMBING WALLS AND SIDES OF STAIRS: HPL 13 MM.</p>	<p>PLATE AND ROPE CONNECTORS AND SAFE PIPE PLUGS MADE OF INJECTION MOLDED POLYAMIDE.</p>	<p>CAP: SOFT RUBBER. LIFT AND CHAINS: STAINLESS STEEL.</p>	<p>PLATES OF THE WALLS MADE OF COLOURFUL TRIPLE LAYERED 15 MM HDPE POLYETHYLENE, IN THE HIGHEST QUALITY, TOTALLY DAMP-PROOF.</p>	<p>STEEL CONSTRUCTION: STAINLESS STEEL AISI304.</p>