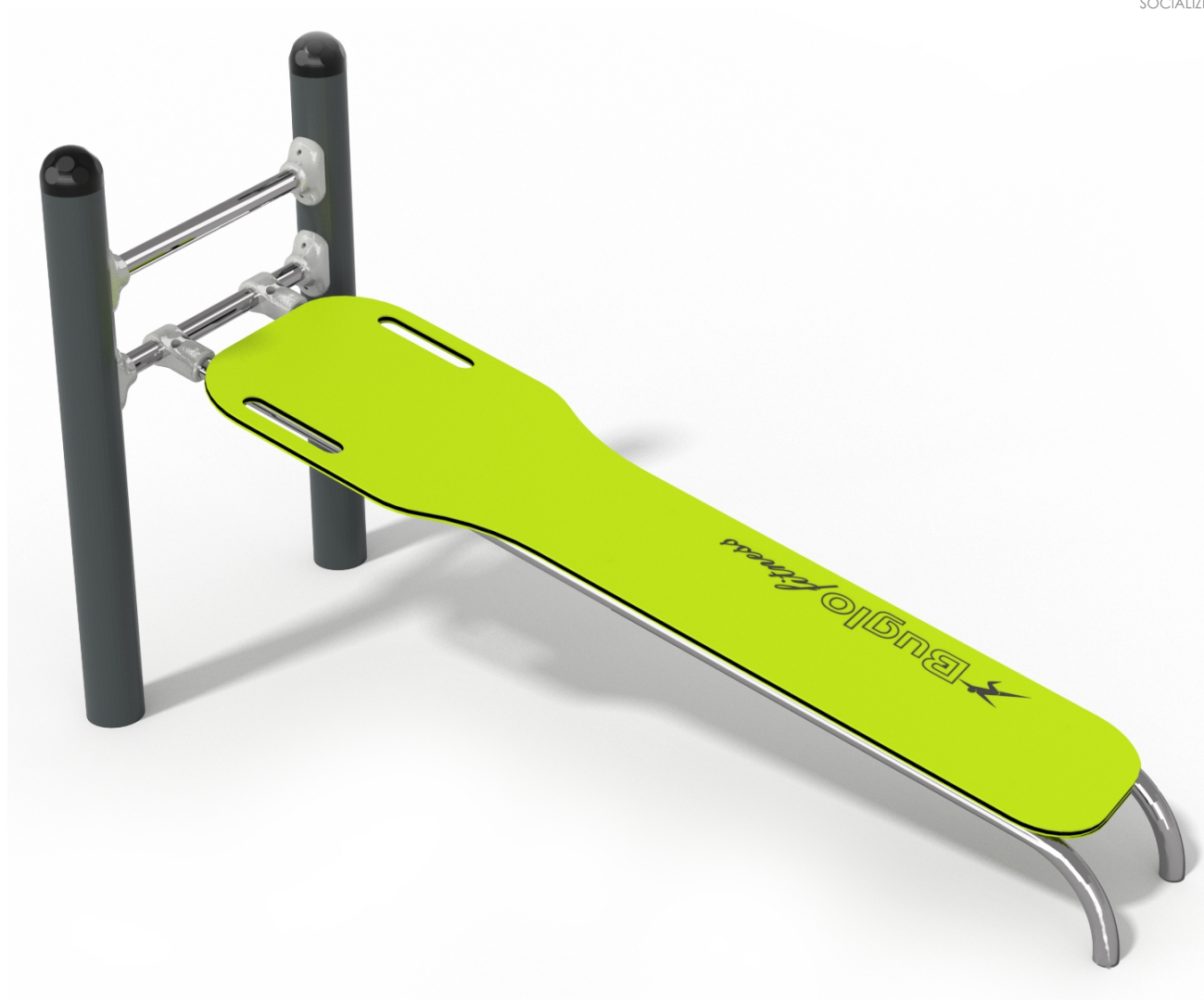




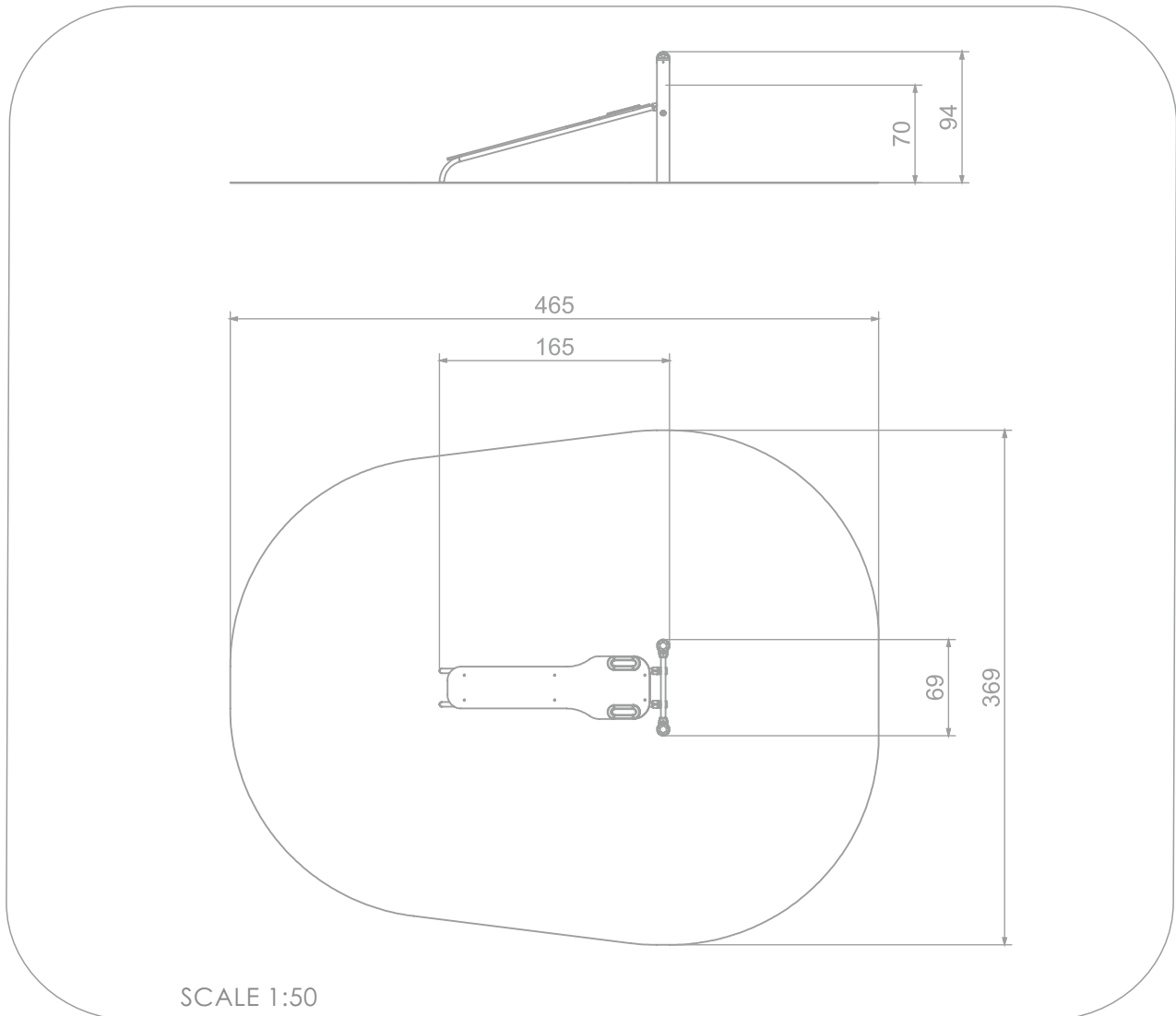
SOCIALIZING



INFORMATION ABOUT THE PRODUCT

Dimensions	165 x 69 cm
Safety zone	465 x 369 cm
Safety zone area	15 m ²
Overall height	94 cm
Free fall height	70 cm
Product complies with EN 16630:2015-06	YES
Availability of spare parts	YES
<small>According to EN 1176-1:2017-12 norm, the product requires applying a safety surface according to the product's free fall height.</small>	





MATERIALS:

<p>SOLID CONSTRUCTION MADE OF BLACK STEEL S235JR. CLEANED IN THE SANDBLASTING PROCESS</p>	<p>POST ENDINGS FINISHED WITH SOFT EPDM RUBBER</p>	
		
<p>PATENTED SYSTEM OF CONNECTORS AND CLAMPS MADE OF STRONG ALUMINUM ALLOY</p>	<p>SOLID CONSTRUCTION MADE OF STAINLESS STEEL AISI304</p>	<p>COLOURFULL HPL PANELS 13 MM</p>
		

