



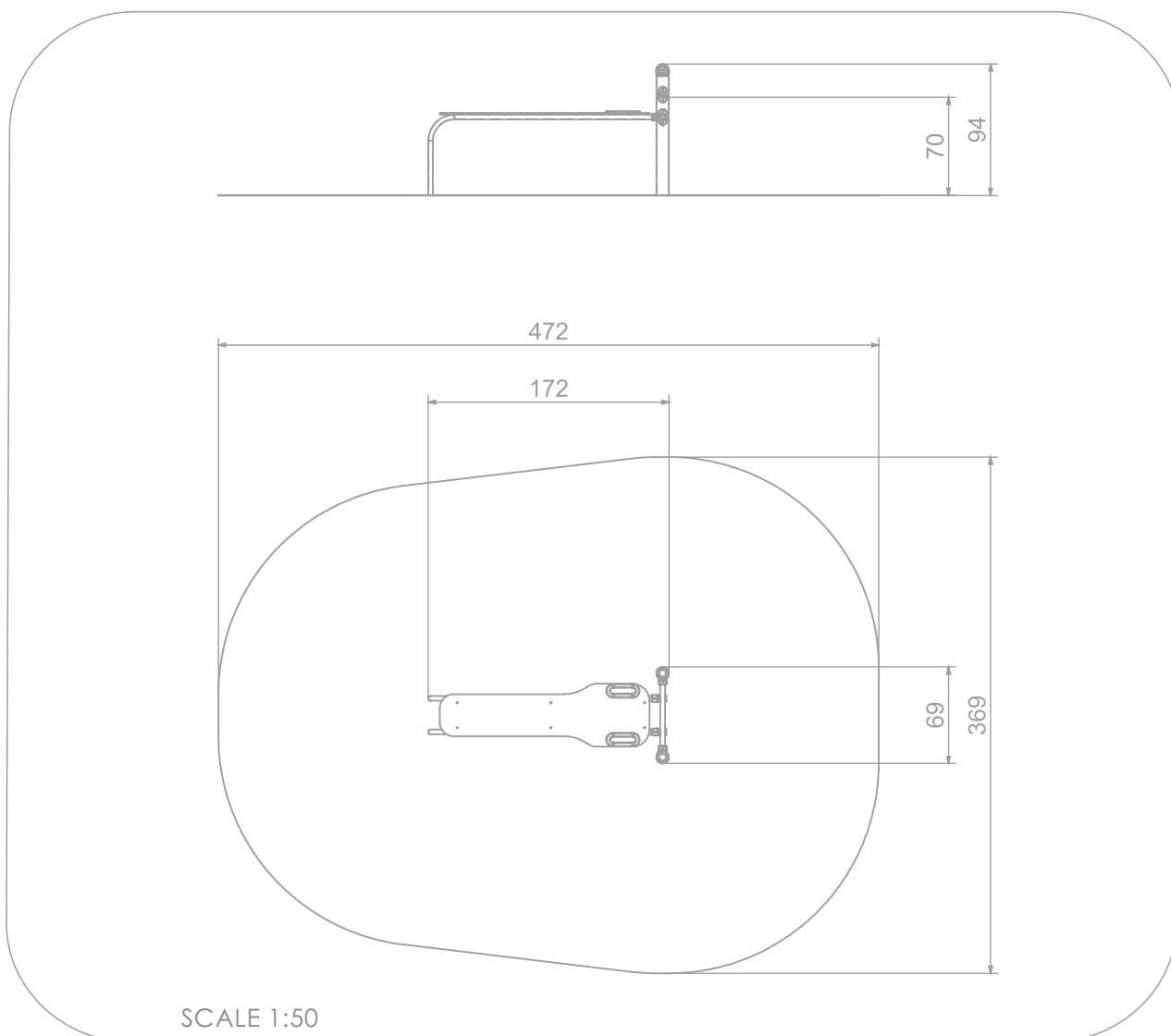
SOCIALIZING



INFORMATION ABOUT THE PRODUCT

Dimensions	172 x 69 cm
Safety zone	472 x 369 cm
Safety zone area	15 m ²
Overall height	94 cm
Free fall height	70 cm
Product complies with EN 16630:2015-06	YES
Availability of spare parts	YES
According to EN 1176-1:2017-12 norm, the product requires applying a safety surface according to the product's free fall height.	





MATERIALS:

SOLID CONSTRUCTION MADE OF BLACK STEEL S235JR, CLEANED IN THE SANDBLASTING PROCESS



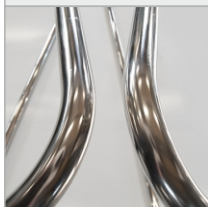
POST ENDINGS FINISHED WITH SOFT EPDM RUBBER



PATENTED SYSTEM OF CONNECTORS AND CLAMPS MADE OF STRONG ALUMINOM ALLOY



SOLID CONSTRUCTION MADE OF STAINLESS STEEL AISI304



COLOURFULL HPL PANELS 13 MM

