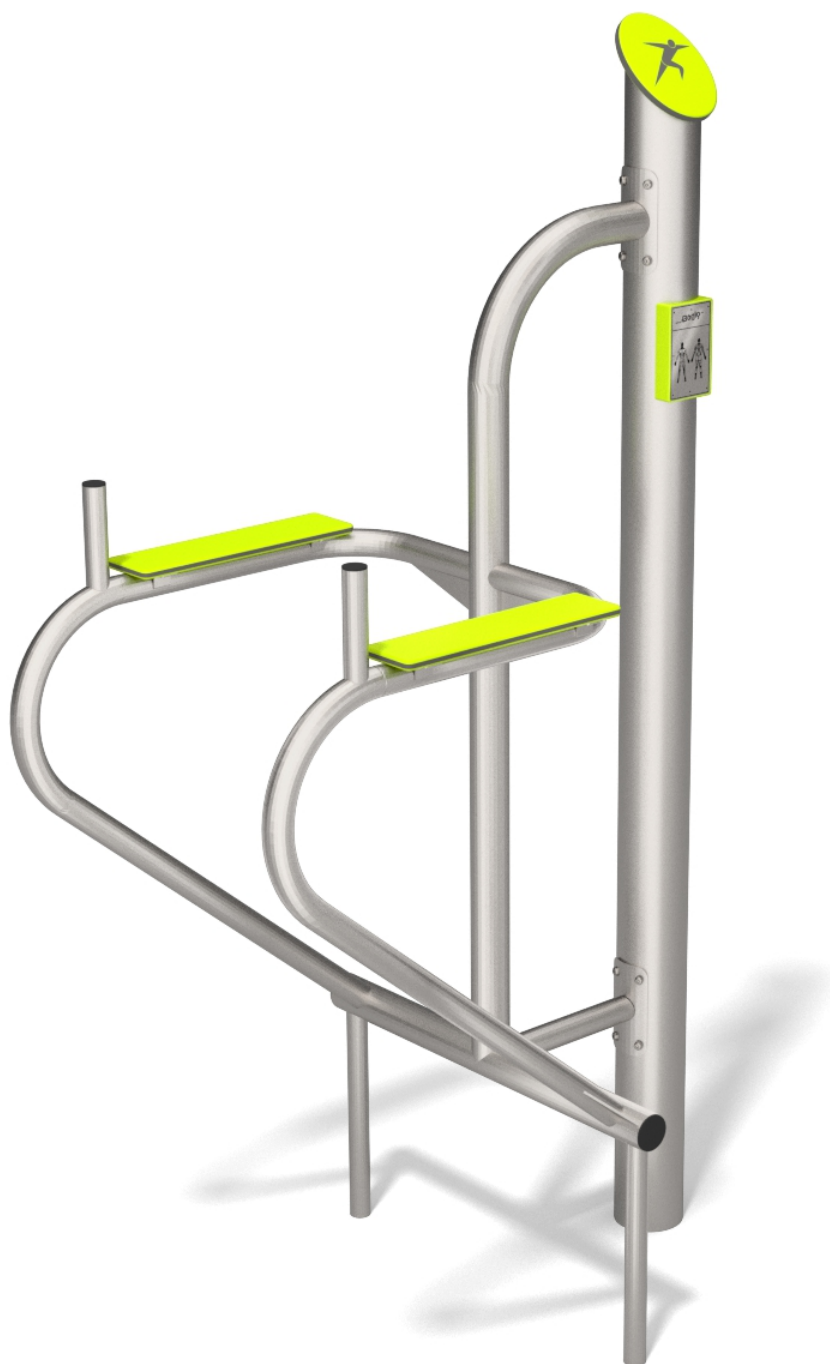




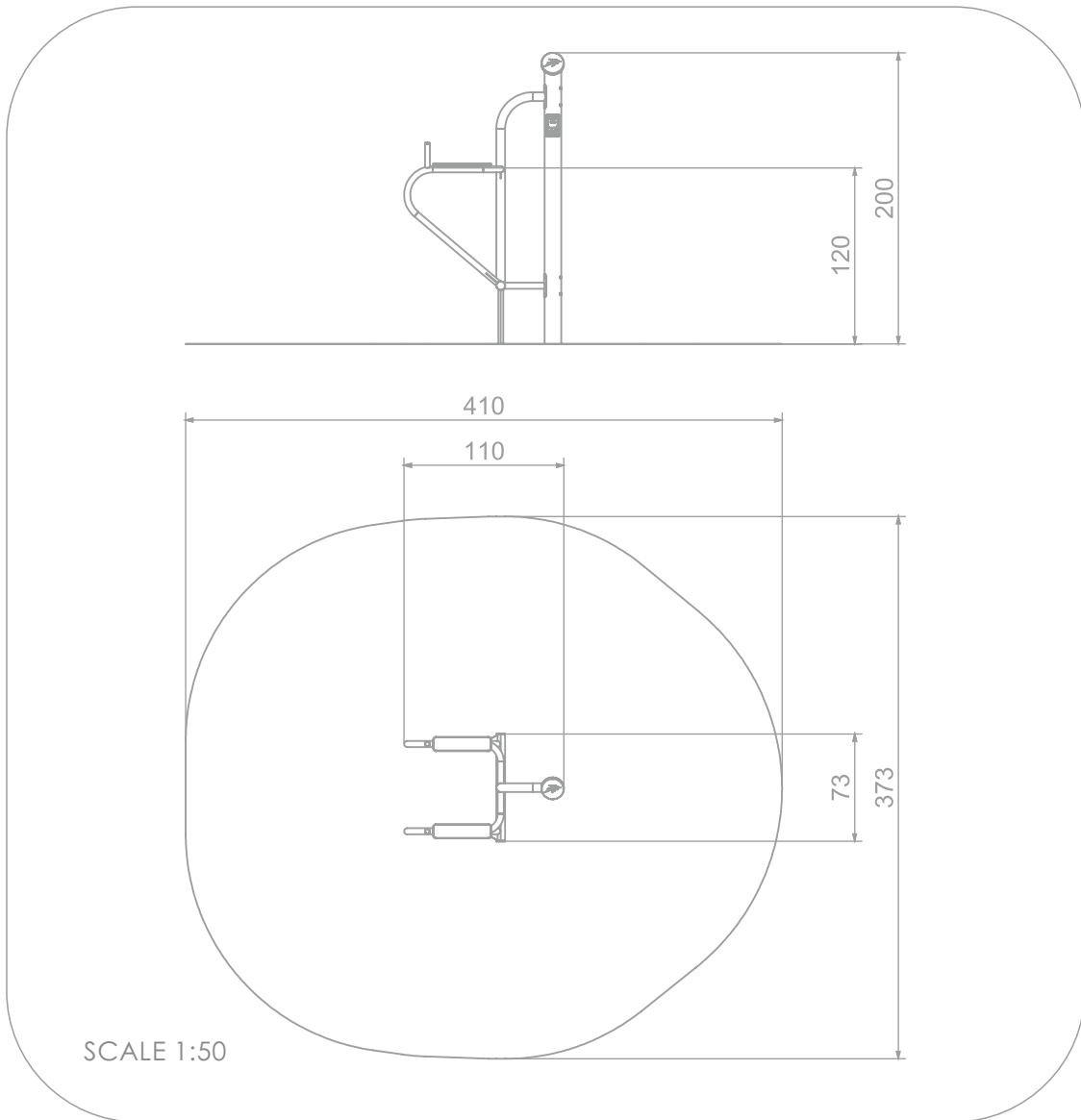
SOCIALIZING



INFORMATION ABOUT THE PRODUCT

| | |
|---|-------------------|
| Dimensions | 110 x 73 cm |
| Safety zone | 410 x 373 cm |
| Safety zone area | 13 m ² |
| Overall height | 200 cm |
| Free fall height | 120 cm |
| Product complies with EN 1176-1:2017-12 | YES |
| Availability of spare parts | YES |





MATERIALS:

SOLID CONSTRUCTION
MADE OF STAINLESS STEEL
ASISI 304 TOTALLY



ANTI-SLIP PLATE IMADE OF
13 MM HPL



PLATES MADE OF
COLOURFUL TRIPLE LAYERED
POLYETHYLENE HDPE 15 MM



PLATE MADE OF ANODIZED
ALUMINIUM PLACED OF A
HANDLE MADE OF
POLYAMIDE



BACK SUPPORT AND SEATS
MADE OF COLOURFUL
TRIPLE LAYERED
POLYETHYLENE HDPE 15 MM

