

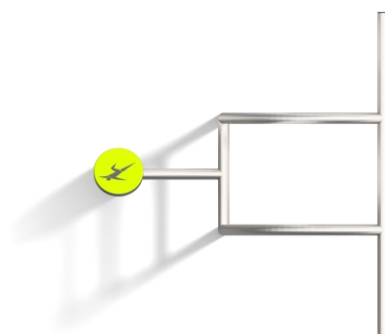


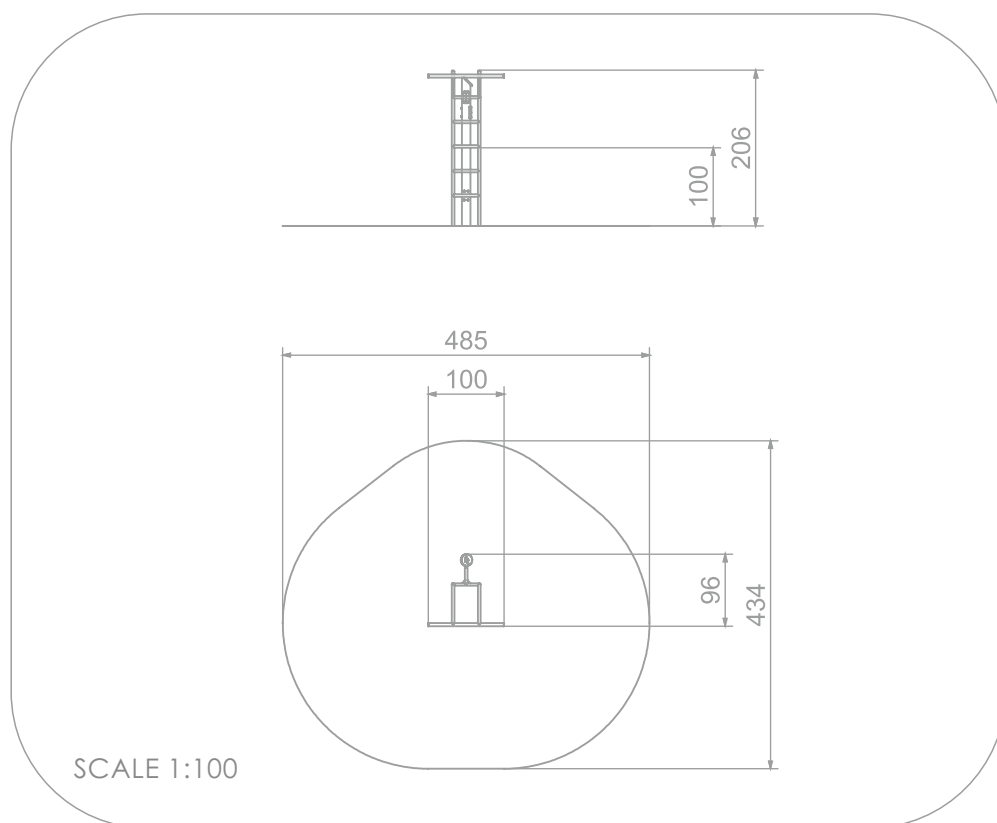
SOCIALIZING



INFORMATION ABOUT THE PRODUCT

Dimensions	96 x 100 cm
Safety zone	434 x 485 cm
Safety zone area	17 m ²
Overall height	206 cm
Free fall height	100 cm
Product complies with EN 1176-1:2017-12	YES
Availability of spare parts	YES





MATERIALS:

SOLID CONSTRUCTION
MADE OF STAINLESS STEEL
ASISI 304 TOTALLY

PLATES MADE OF
COLOURFUL TRIPLE LAYERED
POLYETHYLENE HDPE 15 MM

PLATE MADE OF ANODIZED
ALUMINIUM PLACED OF A
HANDLE MADE OF
POLYAMIDE

