

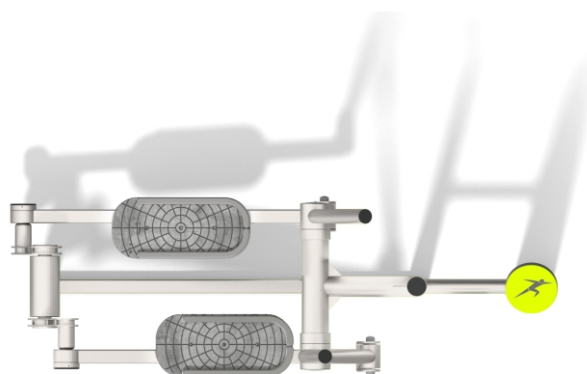


SOCIALIZING



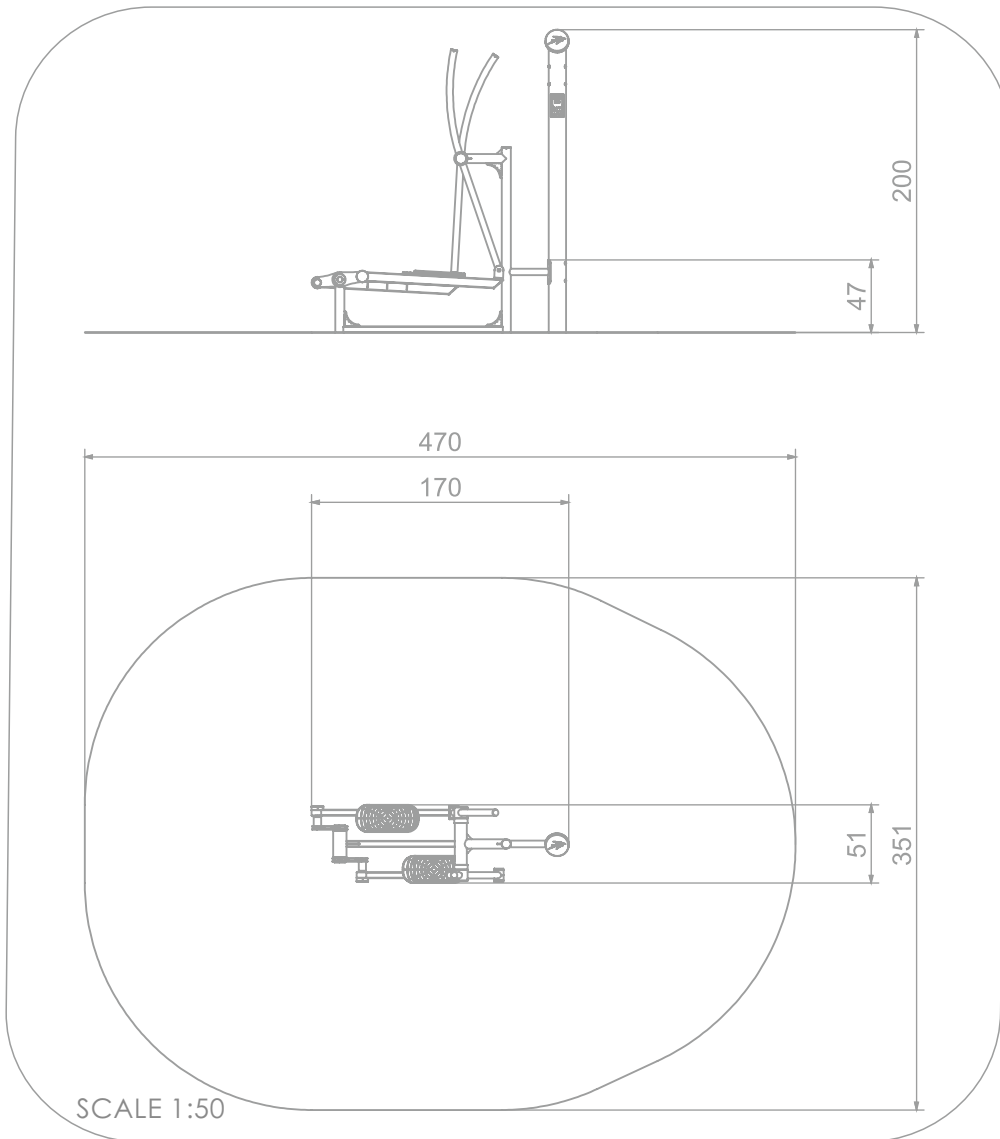
#### INFORMATION ABOUT THE PRODUCT

Dimensions	51 x 170 cm
Safety zone	470 x 351 cm
Safety zone area	14 m <sup>2</sup>
Overall height	200 cm
Free fall height	47 cm
Product complies with EN 1176-1:2017-12	YES
Availability of spare parts	YES



# 7815-INOX

FITNESS



**MATERIALS:**

SOLID CONSTRUCTION MADE OF BLACK STEEL S235JR, CLEANED IN THE SANDBLASTING PROCESS



PLATES MADE OF COLOURFUL TRIPLE LAYERED POLYETHYLENE HDPE 15 MM



ANTI-SLIP PLATE MADE OF 13 MM HPL



SELF-ALIGNING ROLLER BEARINGS



PLATE MADE OF ANODIZED ALUMINIUM PLACED OF A HANDLE MADE OF POLYAMIDE

