



SOCIALIZING



CLIMBING



SLIDING

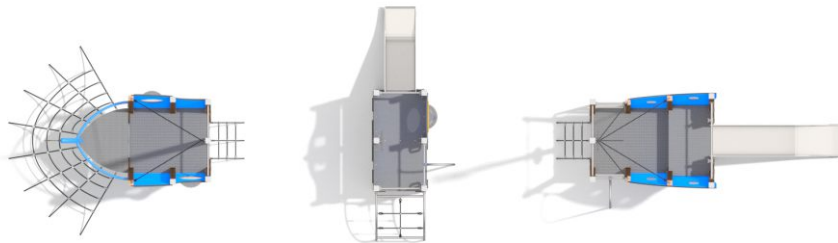
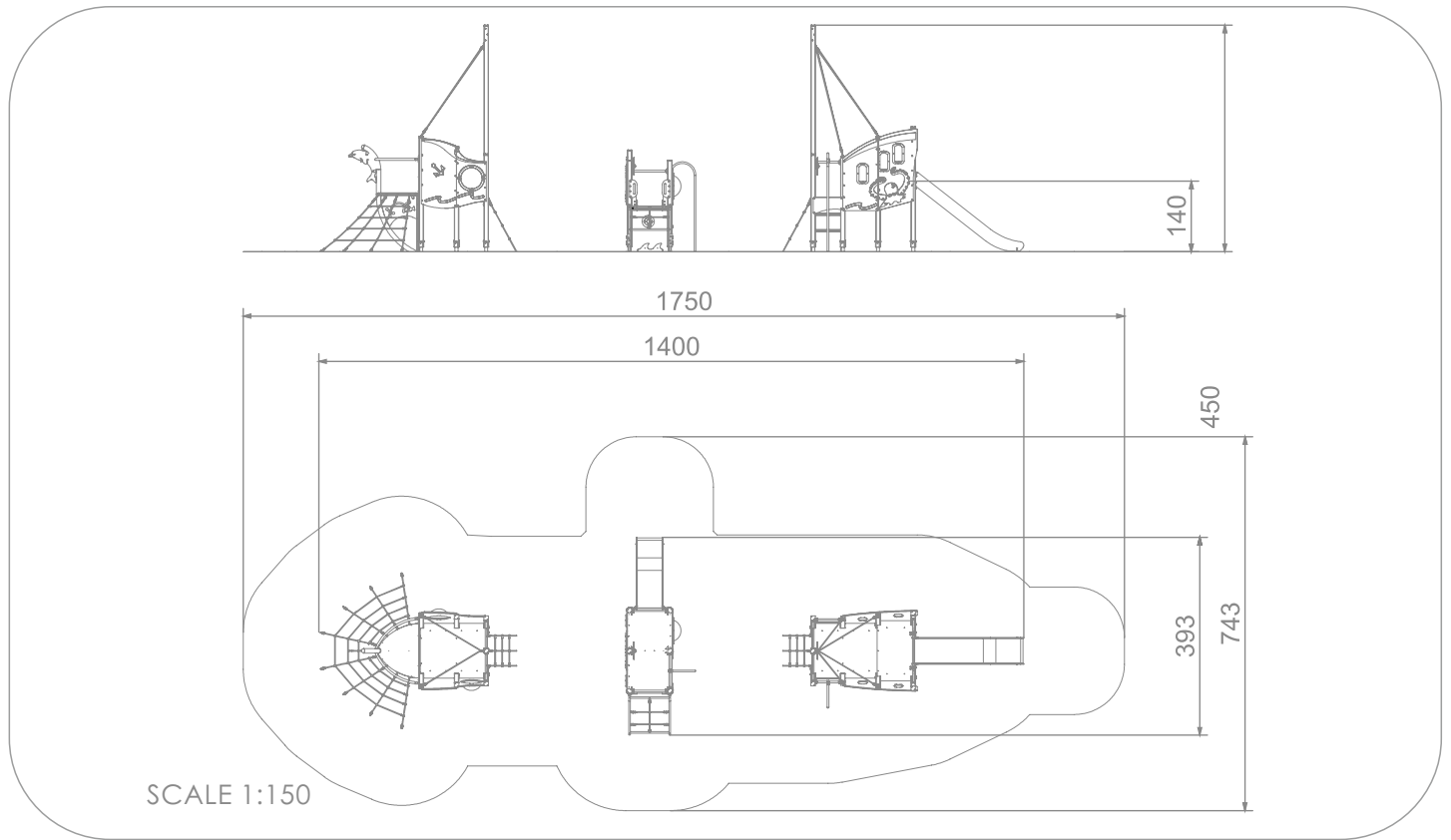


INFORMATION ABOUT THE PRODUCT

Dimensions	393 x 1400 cm
Safety zone	743 x 1750 cm
Safety zone area	84 m ²
Overall height	450 cm
Free fall height	140 cm
Amount of users	30
Product complies with EN 1176-1:2017-12	YES
Availability of spare parts	YES
Age range	3-12
<small>According to EN 1176-1:2017-12 norm, the product requires applying a safety surface according to the product's free fall height.</small>	



8069



MATERIALS:

<p>SLIDES MADE OF STAINLESS STEEL ASI 304. METAL SHEET WITH A THICKNESS OF 2 MM FORMED IN A CNC TECHNIQUE.</p> 	<p>HEMISPHERIC WINDOW WITH A DIAMETER OF 400 MM.</p> 	<p>PLATES OF THE WALLS MADE OF COLOURFUL TRIPLE LAYERED 15 MM HDPE POLYETHYLENE, IN THE HIGHEST QUALITY, TOTALLY DAMP-PROOF.</p> 	<p>SOLID AND ESTHETIC ROPE CONNECTORS MADE OF INJECTION MOLDED POLYAMIDE.</p> 	
<p>SOFT CONIFER WOOD 90 X 90 MM, CORELESS, GLUED IN LAYERS WITH POLYURETHANE GLUES, TOTALLY RESISTANT TO WATER.</p> 	<p>WOODEN POSTS ANCHORED TO THE GROUND WITH POWDER GALVANIZED AND POWDER COATED STEEL ANCHORS.</p> 	<p>SYSTEM OF CONNECTORS AND CLAMPS MADE OF STRONG ALUMINIUM ALLOY.</p> 	<p>POLYPROPYLENE ROPES PP-MULTISPLIT TYPE WITH A STEEL CORE AND A DIAMETER OF 16 MM.</p> 	<p>ANTI-SLIP ANTHRACITE 10MM HPL PLATFORM PLATE WITH A VERY HIGH RESISTANCE TO WEATHER CONDITIONS AND ATRITION.</p> 