



SOCIALIZING



CLIMBING



SLIDING

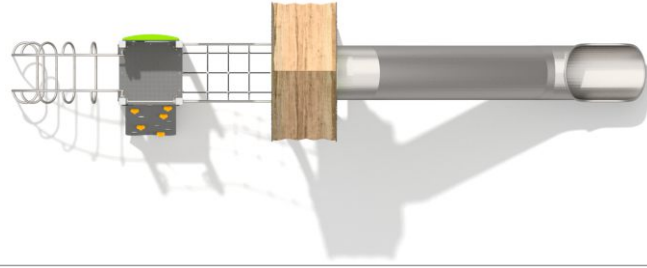


BALANCING

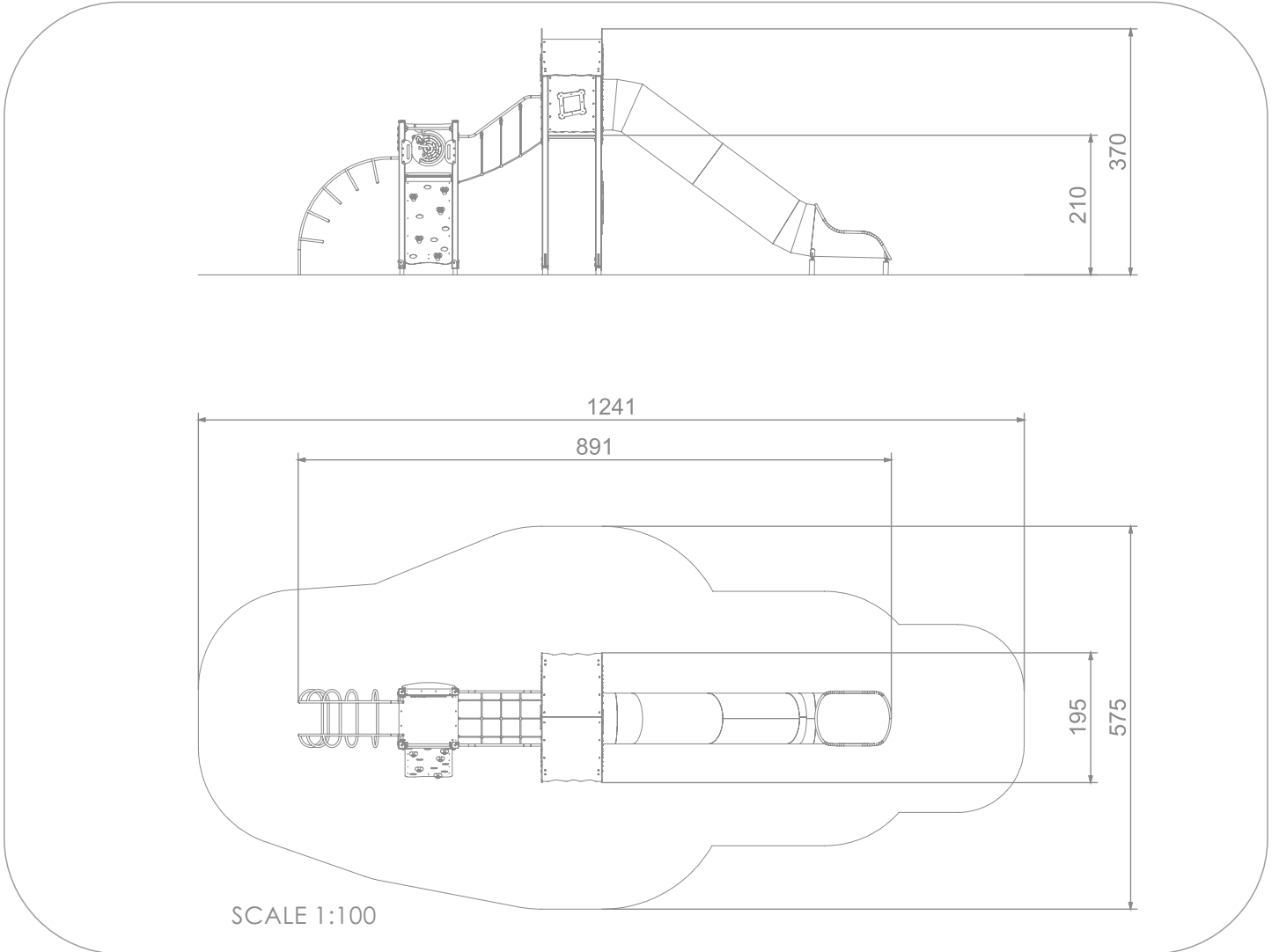
INFORMATION ABOUT THE PRODUCT

Dimensions	891 x 195 cm
Safety zone	1241 x 575 cm
Safety zone area	52 m ²
Overall height	370 cm
Free fall height	210 cm
Amount of users	14
Product complies with EN 1176-1:2017-12	YES
Availability of spare parts	YES
Age range	3-12
<small>According to EN 1176-1:2017-12 norm, the product requires applying a safety surface according to the product's free fall height.</small>	





8077



MATERIALS:

<p>SOFT CONIFER WOOD 90 X 90 MM, CORELESS, GLUED IN LAYERS WITH POLYURETHANE GLUES, TOTALLY RESISTANT TO WATER.</p>	<p>WOODEN POSTS ANCHORED TO THE GROUND WITH POWDER GALVANIZED AND POWDER COATED STEEL ANCHORS.</p>	<p>BENDED POSTS MADE OF SOFT CONIFER WOOD.</p>	<p>PLATES OF THE WALLS MADE OF COLOURFUL TRIPLE LAYERED 15 MM HDPE POLYETHYLENE, IN THE HIGHEST QUALITY, TOTALLY DAMP-PROOF.</p>	<p>POLIPROPYLENE ROPES PPMULTISPLIT TYPE WITH A STEEL CORE AND A DIMETER OF 16 MM.</p>	<p>CONNECTING ELEMENTS LIKE SCREWS, NUTS, WASHERS MADE OF STAINLESS STEEL.</p>
<p>ANTI-SLIP ANTHRACITE 10MM HPL PLATFORM PLATE WITH A VERY HIGH RESISTANCE TO WEATHER CONDITIONS AND ATTRITION.</p>	<p>TUBE SLIDE MADE OF STAINLESS STEEL AISI 304.</p>	<p>PATENTED SYSTEM OF CONNECTORS AND CLAMPS MADE OF STRONG ALUMINIUM ALLOY.</p>	<p>CLIMBING ROCKS MADE OF CHIPPINGS AND COLOURFUL POLYESTER RESIN.</p>	<p>SOLID AND ESTHETIC ROPE CONNECTORS MADE OF INJECTION MOLDED POLYAMIDE.</p>	<p>ROPE ENDINGS PRESSED IN A SLEEVE MADE OF DURABLE ALUMINIUM ALLOY.</p>

