



SOCIALIZING



CLIMBING



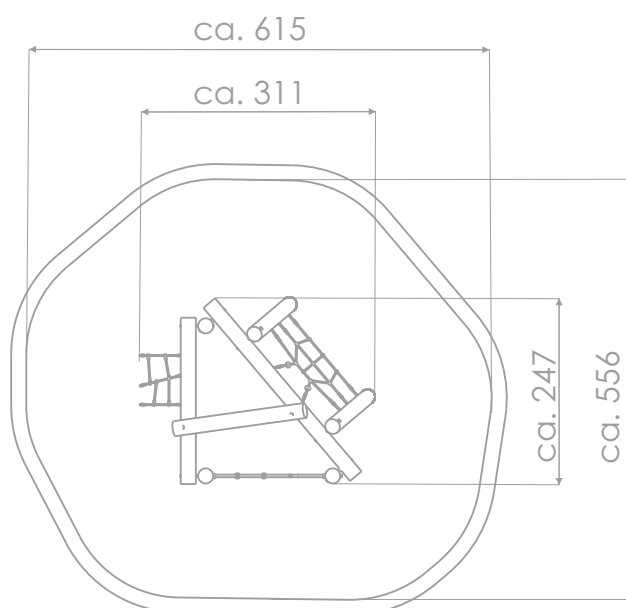
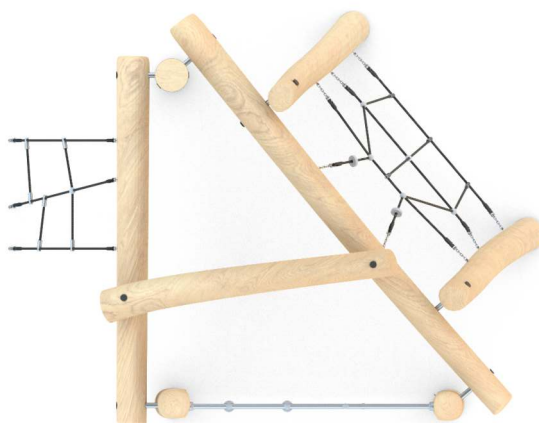
JUMPING

### INFORMATION ABOUT THE PRODUCT

Dimensions	ca. 247 x 311 cm
Safety zone	ca. 556 x 615 cm
Safety zone area	ca. 28 m <sup>2</sup>
Overall height	ca. 185 cm
Free fall height	ca. 185 cm
Amount of users	8 person
Product complies with EN 1176-1:2017-12	YES
Availability of spare parts	YES
Age range	3-12
According to EN 1176-1:2017-12 norm, the product requires applying a safety surface according to the product's free fall height.	

Visualisation is for reference only,  
actual appearance may vary.





SCALE 1:100

### MATERIALS:

NATURAL ROBINIA WOOD	ELEMENTS CONSTRUCTION MADE OF STAINLESS STEEL AISI 304	ATTESTED 6 MM STAINLESS STEEL CHAINS	POLYPROPYLENE ROPES PP - MULTISPLIT TYPE WITH A STEEL CORE AND A DIAMETER OF 16 MM	ROPE ENDINGS PRESSED IN A SLEEVE MADE OF DURABLE ALUMINUM ALLOY	SOLID AND ESTHETIC ROPE CONNECTORS MADE OF INJECTION MOLDED POLYAMIDE
					

