



SWINGING



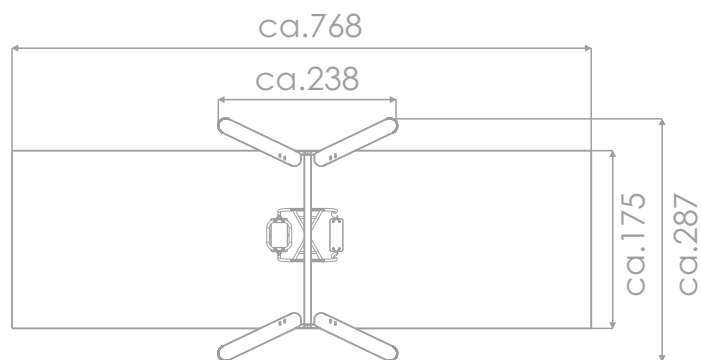
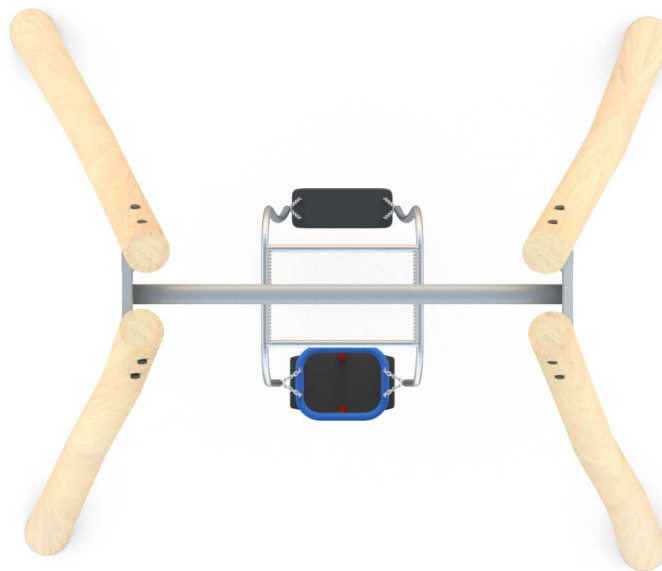
SOCIALIZING



INFORMATION ABOUT THE PRODUCT

Dimensions	ca. 238 x 287 cm
Safety zone	ca. 768 x 175 cm
Overall height	ca. 250 cm
Free fall height	ca. 173 cm
Amount of users	2 persons
Product complies with EN 1176-1:2017-12	YES
Availability of spare parts	YES
Age range	1+
<small>According to EN 1176-1:2017-12 norm, the product requires applying a safety surface according to the product's free fall height.</small>	

Visualisation is for reference only, actual appearance may vary.



SCALE 1:100

MATERIALS:

NATURAL ROBINIA WOOD



ATTESTED 6 MM STAINLESS STEEL CHAINS



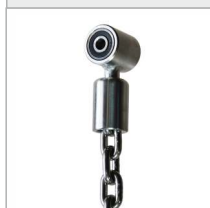
SOLID CONSTRUCTION MADE OF BLACK STEEL S235JR, CLEANED IN THE SANDBLASTING PROCESS



SEAT WITH A CONSTRUCTION MADE OF ALUMINIUM AND STAINLESS STEEL, DEDICATED FOR MOTHER AND CHILD

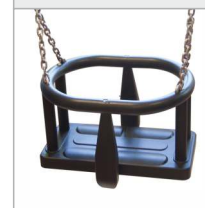


SWINGS, SLINGS WITH DOUBLE BEARINGS MADE OF STAINLESS STEEL



OPTIONAL:

SAFETY SEAT MADE OF ALUMINIUM AND STAINLESS STEEL COVERED WITH SOFT POLYURETHANE



THE SEATS ARE MADE WITH AN ALUMINIUM CONSTRUCTION COVERED WITH A SOFT EPDM RUBBER



BACK SUPPORT OF THE SEAT WITH STEEL CONSTRUCTION COVERED WITH SOFT POLYURETHANE

