



SLIDING



SOCIALIZING



CLIMBING

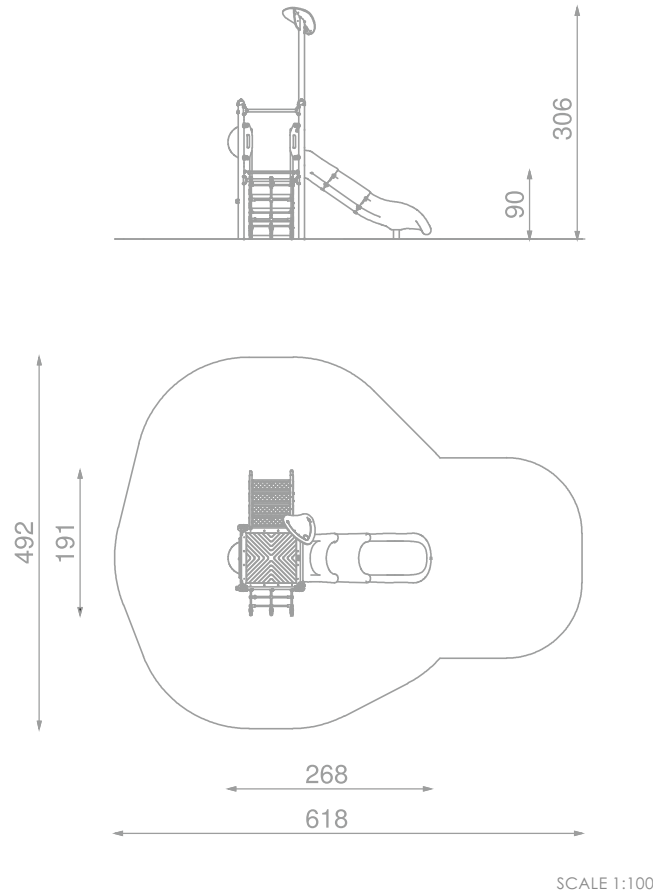
INFORMATION ABOUT THE PRODUCT

Dimensions	191 x 268 cm
Safety zone	492 x 618 cm
Safety zone area	22,2 m ²
Overall height	306 cm
Free fall height	90 cm
Amount of users	6
Product complies with PN-EN 1176-1:2017-12	YES
Availability of spare parts	YES
Age range	1-8
According to PN-EN 1176-1:2017-12 norm, the product requires applying a safety surface according to the product's free fall height.	



1701INOX

INFORMATION FOR ARCHITECTS



MATERIALS:

CONSTRUCTION MADE OF STAINLESS STEEL AISI 304	SAFE PIPE PLUGS MADE OF INJECTION MOLDED POLYAMID	PLATES OF THE WALLS MADE OF COLOURFUL TRIPLE LAYERED 15 MM HDPE POLYETHYLENE	HEMISPHERIC WINDOW WITH A DIAMETER OF 400 MM	SOLID AND ESTHETIC ROPE CONNECTORS MADE OF INJECTION MOLDED POLYAMIDE
PLATES OF THE WALLS AND PLATFORMS MADE OF COLOURFUL 13 MM HPL	MODULAR POLYETHYLENE SLIDES MADE OF ROTOMOULDED LDPE TYPE MATERIAL	PLATE AND ROPE CONNECTORS MADE OF INJECTION MOLDED POLYAMIDE	ROPE ENDINGS PRESSED IN A SLEEVE MADE OF DURABLE ALUMINUM ALLOY	POLYPROPYLENE ROPES PPMULTISPLIT TYPE WITH A STEEL CORE AND A DIAMETER OF 16 MM