



SLIDING



SOCIALIZING



CLIMBING

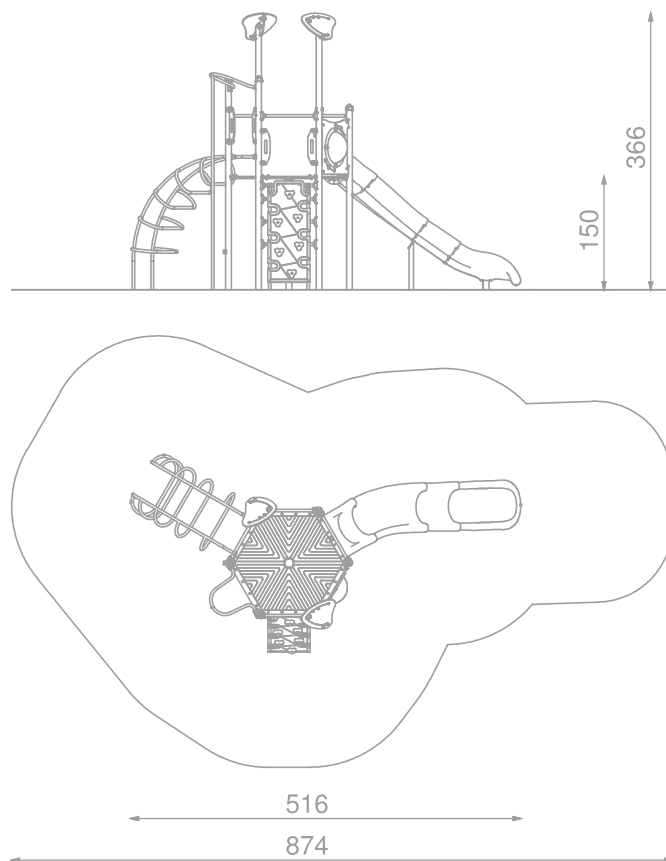
INFORMATION ABOUT THE PRODUCT

Dimensions	263 x 516 cm
Safety zone	571 x 874 cm
Safety zone area	33,7 m ²
Overall height	366 cm
Free fall height	150 cm
Amount of users	10
Product complies with EN 1176-1:2017-12	YES
Availability of spare parts	YES
Age range	3-12
According to EN 1176-1:2017-12 norm, the product requires applying a safety surface according to the product's free fall height.	



1706INOX

INFORMATION FOR ARCHITECTS



SCALE 1:100

MATERIALS:

<p>CONSTRUCTION MADE OF STAINLESS STEEL AISI 304</p>	<p>SAFE PIPE PLUGS MADE OF INJECTION MOLDED POLYAMID</p>	<p>PLATES OF THE WALLS MADE OF COLOURFUL TRIPLE LAYERED 15 MM HDPE POLYETHYLENE</p>	<p>HEMISPHERIC WINDOW WITH A DIAMETER OF 400 MM</p>	
<p>PLATES OF THE WALLS AND PLATFORMS MADE OF COLOURFUL 13 MM HPL</p>	<p>MODULAR POLYETHYLENE SLIDES MADE OF ROTOMOLDED LDPE TYPE MATERIAL</p>	<p>PLATE AND ROPE CONNECTORS MADE OF INJECTION MOLDED POLYAMIDE</p>	<p>CLIMBING ROCKS MADE OF CHIPPINGS AND COLOURFUL POLYESTER RESIN</p>	<p>CONNECTING ELEMENTS LIKE SCREWS, NUTS, WASHERS MADE OF STAINLESS STEEL</p>