



SLIDING



SOCIALIZING



CLIMBING



JUMPING

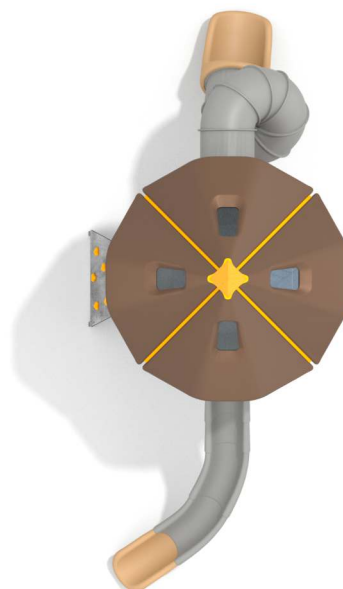


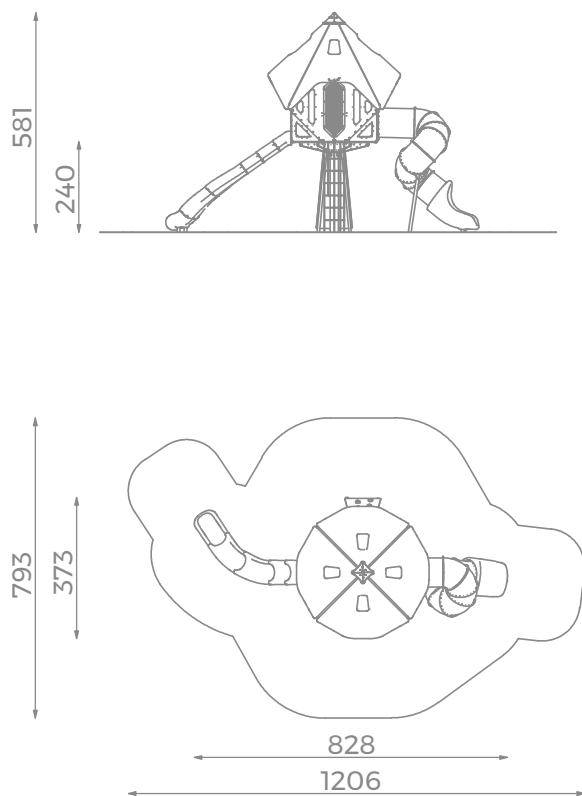
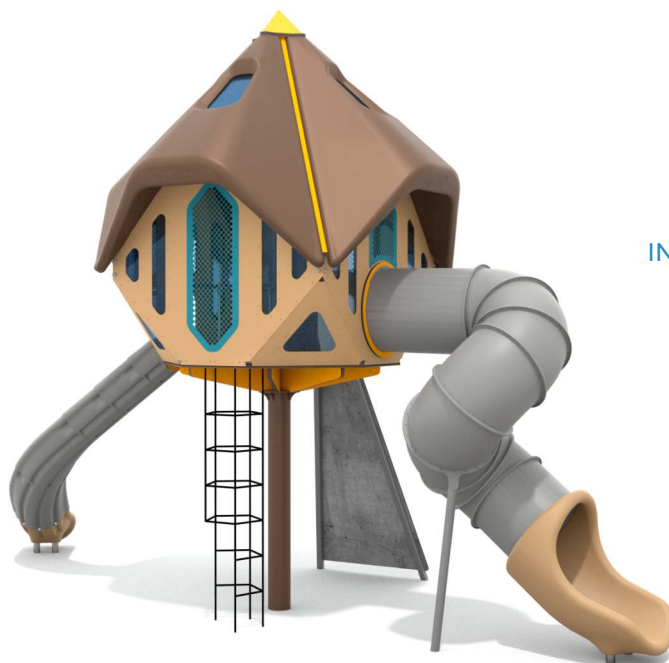
BALANCING

INFORMATION ABOUT THE PRODUCT

Dimensions	373 x 828 cm
Safety zone	793 x 1206 cm
Safety zone area	65 m ²
Overall height	581 cm
Free fall height	240 cm
Amount of users	13
Product complies with EN 1176-1:2017-12	YES
Availability of spare parts	YES
Age range	3-12

According to EN 1176-1:2017-12 norm, the product requires applying a safety surface according to the product's free fall height.





SCALE 1:200

MATERIALS:

STEEL CONSTRUCTION:
Ø114 PIPES, POWDER
GALVANIZED AND COVERED IN
POWDER COATING PAINT



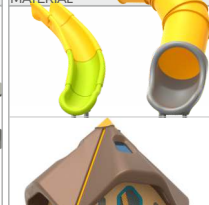
PANELS:
HDPE 15 MM



PLATFORM:
STEEL SHEET GALVANIZED
AND COVERED WITH
POWDER COATING PAINT
+ HPL 6 MM



SLIDES AND ROOFS
ARE MADE USING
ROTOMOULDING TECHNIQUE
USING LDPE
MATERIAL



WALLS OF THE HOUSE ARE
MADE OF POWDER
GALVANIZED SHEET METAL
COATED IN A PROTECTIVE
LAYER OF POWDER PAINT
COATING. WINDOWS ARE
MADE OF TRANSPARENT
POLYCARBONATE.

